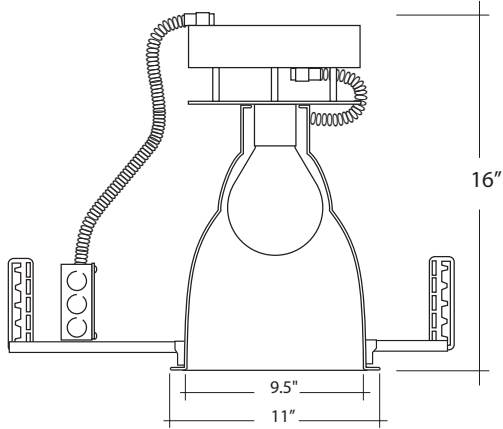


9" QL INDUCTION RECESSED DOWNLIGHT RETROFIT



Clear Alzak® Haze

SPECIFICATION INFORMATION

HOUSING ASSEMBLY

- Pre-coated galvanized steel mounting frame and J-box.
- Telescopic bar hangers supplied, provides for off-center mounting on joists or T-bar.
- Self flange type trim for clean, contemporary appearance.
- Ground wire included (prewired).

REFLECTOR

- Thirty degree (30°) cutoff.
- Anodized, haze, durable and anti-iridescent.
- Finishes: **A**—Clear Alzak® Haze, and **G**—Wheat Alzak® Haze.

HF GENERATOR

Electronic components connectcted to discharge vessel via shielded triaxial cable. Supplied standard in 120V and 277V. Voltage must be specified. All components Philips.

LAMP

Philips 85W and 165W, 3000K or 4000K, with 100,000 hour lamp life.

ELECTRICAL

- Allows 4-in/4-out #12 AWG conductors rated at minimum 90° C.
- J-box and generator are both accessible through fixture.
- U.L. listed for use in damp locations.

ACCESSORIES

- **P**—trim flange painted white

ORDERING INFORMATION

LAMP

- 1-55** 55W QL induction
- 1-85** 85W QL induction
- 1-165** 165W QL induction

120V

- VQL9055.A30.1** 55W
- VQL9085.A30.1** 85W
- VQL9165.A30.1** 165W

277V

- VQL9055.A30.2** 55W
- VQL9085.A30.2** 85W
- VQL9165.A30.2** 165W

COLOR TEMP

- 3000K
- 4000K

SUBMITTAL INFORMATION

TYPE:

PROJECT:

NOTES:

DESCRIPTION:

**DELRAY
LIGHTING
INCORPORATED**

VQL9000

BURBANK,
CALIFORNIA,
91505

WWW.

DELRAY

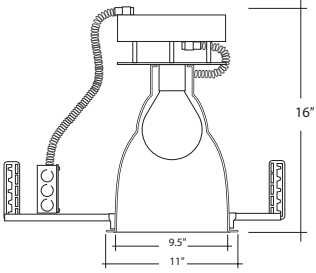
LIGHTING.

COM

SEPT 2010

CLEAR ALZAK 30°

VQL9085.A30

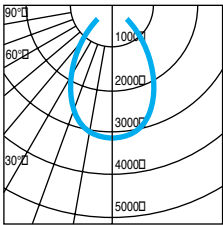


CONE OF LIGHT

MTG. HT.	FC/0°	DIA.
6'	73	6.6
8'	48	9.0
10'	30	10.5
12'	21	12.6
14'	15	15.3

50% FC at edge

CP DISTRIBUTION



COEFFICIENTS OF UTILIZATION

% CEILING 80 (20% FLOOR)

% WALL	70	50	30
0	86	86	86
1	82	80	78
2	78	74	71
3	74	69	65
4	69	63	59
5	65	59	54
6	61	54	49
7	57	50	45
8	53	46	41
9	50	42	37
10	45	36	31

NOTES

VQL9085.A30

1-85W QL induction lamp

Total lumens: 6400

Spacing criteria: .9