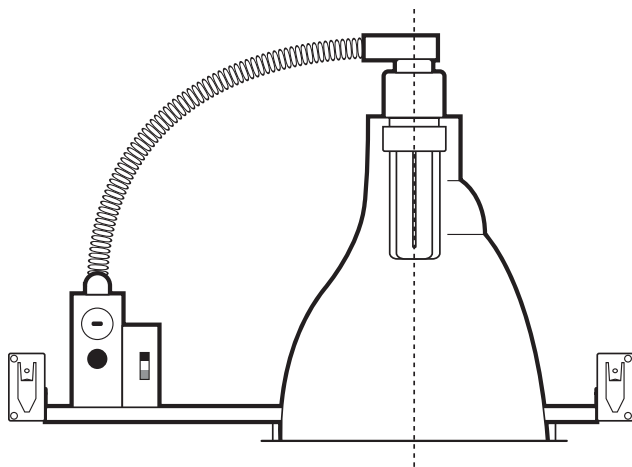


7.5" VERTICAL SINGLE LAMP DOWNLIGHT



Clear Alzak® Haze



Wheat Alzak® Haze



Black Baffle

SPECIFICATION INFORMATION

HOUSING ASSEMBLY

- Pre-coated galvanized steel mounting frame and J-box.
- Telescopic bar hangers supplied, provides for off-center mounting on joists or T-bar.
- .063 aluminum lampholder securely fastens to reflector, provides thermally efficient operation.
- Self flange type trim for clean, contemporary appearance.
- Ground wire included (prewired).

TWIST LOCK SOCKET

- Push lamp in and twist clockwise to lock into place.
- Lamp will not fall out.
- Relamp with pole (with Changer accessory).

REFLECTOR

- Thirty degree (30°) or forty degree (40°) cutoff.
- Anodized, haze, durable and anti-iridescent.
- Finishes: **A**—Clear Alzak® Haze, and **G**—Wheat Alzak® Haze.

BALLAST

- Standard in universal voltage 120V through 277V.
- Thermally protected rapid start electronic ballasts use 4-pin lamps
- .99 power factor with THD < 10%.
- End of lamp life protection.

ELECTRICAL

- Allows 4-in/4-out #12 AWG conductors rated at minimum 90° C.
- J-box and ballast are both accessible through fixture.
- U.L. listed for use in damp locations.

ACCESSORIES

- **AL**—acrylic food service lens
- **B**—black baffle
- **CHANGER** for re-lamp cup
- **P**—trim flange painted white
- **CP**—Chicago plenum
- **OT7.5**—white oversize trim ring (adds 5/8" to flange)
- **FS**—inline fuse

DIMMING

- Voltage *must* be specified.
- Controls lumen output down to ±5%.
- Compatible dimmers required for all ballasts.
- **D3** Advance Mark X for 18W lamp.
- **D5** Advance Mark VII for 18W lamp.
- **D9** Lutron Eco System for 18W lamp.

EMERGENCY

- Voltage *must* be specified.
- **EM** emergency power provides 650 lumens for one lamp for 90 minutes
- **EM18** emergency power provides 1800 lumens for one lamp for 90 minutes

ORDERING INFORMATION

LAMP INFO

1-18 18W quad tube

120V ELECTRONIC

V7.5118.A30.1E 18W 30°

V7.5118.A40.1E 18W 40°

277V ELECTRONIC

V7.5118.A30.2E 18W 30°

V7.5118.A40.2E 18W 40°

SUBMITTAL INFORMATION

TYPE:

PROJECT:

NOTES:

DESCRIPTION:

**DELRAY
LIGHTING
INCORPORATED**

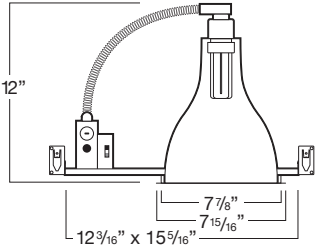
V7.5118

BURBANK,
CALIFORNIA,
91505
WWW.
DELRAY
LIGHTING.
COM

OCT 2010

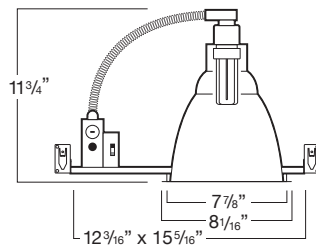
CLEAR ALZAK 30°

V7.5118.A30



CLEAR ALZAK 40°

V7.5118.A40



CONE OF LIGHT

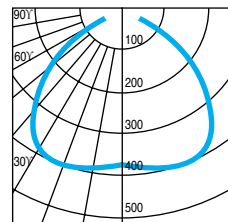
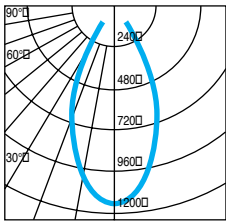
MTG. HT.	FC/0°	DIA.
4'	72	2.8
6'	32	4.1
8'	18	5.5
10'	12	6.9
12'	8	8.3

50% FC at edge

MTG. HT.	FC/0°	DIA.
4'	24	5.8
6'	11	8.7
8'	6	11.6
10'	4	14.5
12'	3	17.4

50% FC at edge

CP DISTRIBUTION



COEFFICIENTS OF UTILIZATION

% CEILING 80 (20% FLOOR)

% WALL 70	50	30
0	75	75
1	72	71
2	70	67
3	67	64
4	64	60
5	62	57
6	59	55
7	57	52
8	54	49
9	52	47
10	50	44

% CEILING 80 (20% FLOOR)

% WALL 70	50	30
0	98	98
1	92	89
2	86	81
3	81	74
4	75	67
5	69	61
6	65	55
7	60	50
8	56	46
9	52	42
10	47	36

NOTES

V7.5118.A30

1-18W quad tube
G24q-2 electronic socket
Total lumens: 1250
Spacing criteria: .7
Efficiency: 62.5%

V7.5118.A40

1-18W quad tube
G24q-2 electronic socket
Total lumens: 1250
Spacing criteria: 1.4
Efficiency: 79.4%