

TOP 4-LAMP COMPACT FLUORESCENT & METAL HALIDE

**DELRAY
LIGHTING
INCORPORATED**

TOP



TYPE:

PROJECT:

ORDER NUMBER:

Model#	Finish	Wattage	Voltage	Options
3814	S -Silver	4 -26, 32, 42, 57W	UE 120-277V	D3 WM
3815	W -White	1 -70, 100, 150W	I -120V <i>only</i>	D9 XP*
3816	X -Custom RAL color:			

*Specify Length (**XP**):

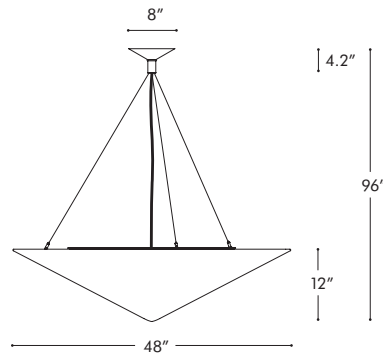
CONSTRUCTION

- Opal diffuser made of durable, high-impact polyethylene; resistant to UV, chemicals, and temperature changes. Suspended by three 8 ft. aircraft cables, with push button grippers. For additional suspension length, specify **XP** and total length required.
- Canopy mounts to all standard Jboxes. Stem hangs plumb on either flat or slope ceilings. Specify **S**-silver (with silver braided cord) or **W**-white (with white cord), standard.
- Lamps and ballasts are mounted to pans that twist and lift off, for easy access. Diffuser remains in AC cable suspension during servicing.
- U.L. listed for damp locations.

CFL

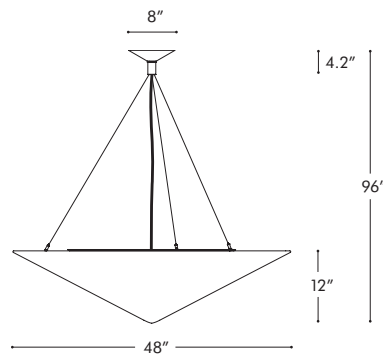
3814 - 4 x 26/32/42W

3815 - 4 x 57W



CMH

3816 - 1 x 70/100/150W ED17

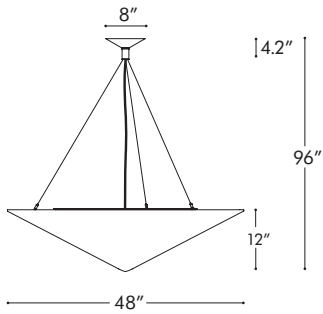


**BURBANK,
CALIFORNIA,
91505
WWW.
DELRAY
LIGHTING.
COM**

NOV 2011

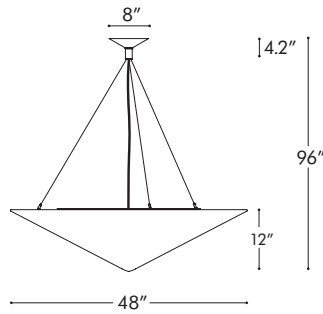
4-57W CFL

Q3814.457



1-100W CMH

Q3816.1100CMH



BALLAST INFO

- CFL ballasts are electronic program start, <10% THD, high power factor, 90C for 4-pin compact fluorescent lamps. Dimming ballast options available.
- CMH models are supplied with electronic high power factor ballasts, for use with coated and protected ED17 ceramic metal halide lamps only.

DIMMING

- Range: 5–100%
- Control wires: none

D3 Advance Mark X

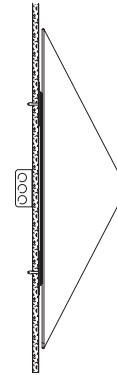
- Max. wattage: 4 x 42W
- 120 or 277V (specify)

D9 Lutron EcoSystem

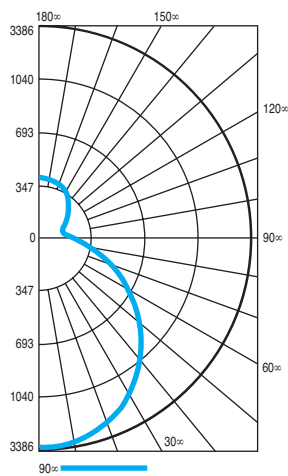
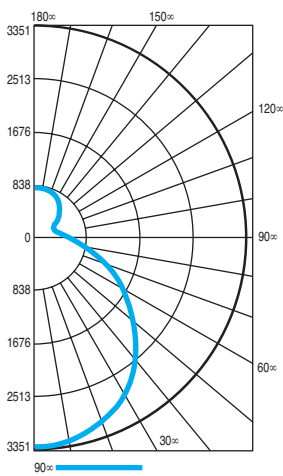
- Voltage *must* be specified, 120V or 277V.
- Max. wattage: 4x 42W
- Range: 5–100%
- Control wires: orange and/or purple/gray
- Dimmers: Lutron only.

OPTIONS

WM—Wall Mount



CP DISTRIBUTION



COEFFICIENTS OF UTILIZATION

% CEILING 80 (20% FLOOR)

% WALL	70	50	30
0	94	94	94
1	83	78	73
2	74	66	60
3	67	57	50
4	61	50	42
5	56	44	36
6	51	39	31
7	47	35	28
8	44	32	24
9	40	29	22
10	38	26	20

% CEILING 80 (20% FLOOR)

% WALL	70	50	30
0	87	87	87
1	76	72	68
2	69	61	55
3	62	53	46
4	56	46	39
5	51	41	33
6	47	36	29
7	43	33	25
8	40	29	23
9	37	27	20
10	35	24	18

NOTES

Q3814.457

4-57W PLT
Gx24Q-5 socket
Total lumens: 17,200 mean
Spacing criteria: 1.28
Efficiency: 83%

Q3816.1100CMH

1-100W CMH
Med. Base E26 socket
Total lumens: 7,900 mean
Spacing criteria: 1.28
Efficiency: 77%