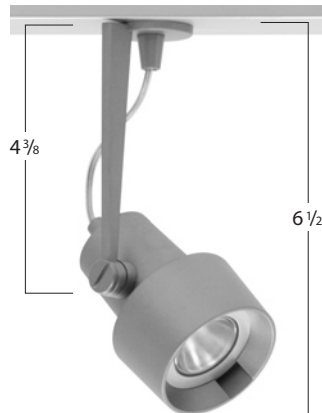


RAIL MOUNT MR16/LED SPOTLIGHT



TYPE:

PROJECT:

ORDER NUMBER:

Model	Lamps	Lamp Type	Voltage
SW	1	MR16 - 50W max.	1-120V
	2	LED - 3.3W	2-277V
	3		

Example:

SW	1	MR	1
----	---	----	---

SPECIFICATION INFORMATION

RAIL MOUNT

Anodized aluminum sections snap to mounting rail. Spun aluminum spotlight features 350° rotation and tilts. Silver finish (only).

MR16 units use electronic low voltage transformer and must be used with compatible dimmers. Max. 50W.

3.3W LED MR16 units use electronic driver and cannot be dimmed.

Accepts standard color or spread lenses and honeycomb louvers, by others.

Available in the following configurations:

- **SW1MR**—300m covering section with one adjustable MR16 spotlight;
- **SW2MR**—600m covering section with two adjustable MR16 spotlights;
- **SW3MR**—900m covering section with three adjustable MR16 spotlights;

- **SW1LED**—300m covering section with one adjustable LED spotlight;
- **SW2LED**—600m covering section with two adjustable LED spotlights;
- **SW3LED**—900m covering section with three adjustable LED spotlights.

U.L. listed for damp locations.

**DELRAY
LIGHTING
INCORPORATED**

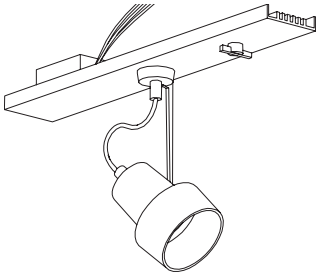
SWMR SPOTLIGHT

**BURBANK,
CALIFORNIA,
91505
WWW.
DELRAY
LIGHTING.
COM**

OCT 2010

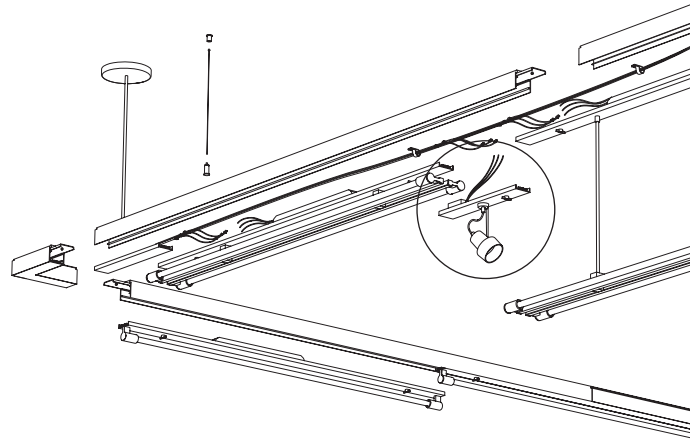
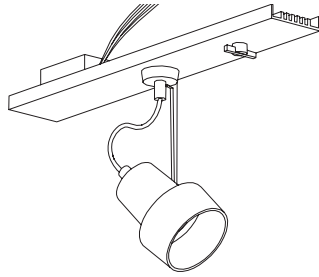
50 WATT MR16

SWIMR – SPOT

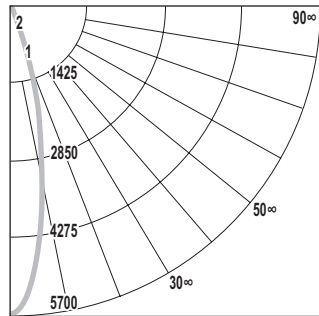
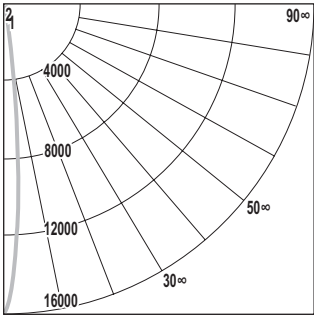


50 WATT MR16

SWIMR – FLOOD



CP DISTRIBUTION



COEFFICIENTS OF UTILIZATION

% CEILING 80	% WALL 70 (20% FLOOR)		
	50	30	
0	119	119	119
1	113	110	107
2	107	102	98
3	102	96	91
4	98	90	85
5	94	86	81
6	91	82	77
7	88	79	74
8	85	76	71
9	82	74	69
10	80	72	67

% CEILING 80	% WALL 70 (20% FLOOR)		
	50	30	
0	119	119	119
1	113	110	107
2	107	102	98
3	102	96	91
4	98	90	85
5	94	86	80
6	90	82	76
7	87	78	73
8	84	75	70
9	81	72	67
10	78	70	65

NOTES

SWIMR – SPOT
MR16
50W NSPOT 10° (ESX)
Total lumens: 1460

SWIMR – FLOOD
MR16
50W WFL 35° (EXN)
Total lumens: 1460