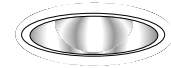
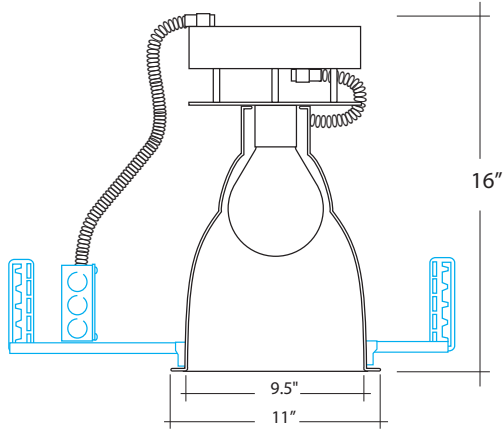


9" QL INDUCTION RECESSED DOWNLIGHT RETROFIT

**DELRAY
LIGHTING
INCORPORATED**



Clear Alzak® Haze



SPECIFICATION INFORMATION

RETRO SYSTEM

Installs into existing downlights mounting frame, J-box, and mounting hardware. Trim flange completely covers old ceiling cutout. Consists of precisely designed reflector; lampholder with pulse rated socket, flex, cap and wire; and ballast attached to J-box. (Voltage options must be specified). Accessory mounting clips are not required for all installations, however when needed specify mounting clip **MC** from accessories column. (Refer to clip spec page for further information).

REFLECTOR

Reflector is available in thirty degree cutoff **.30**. Finishes are **A** Clear Alzak® Haze for anodized, specular, durable and anti-iridescent reflectors.

HF GENERATOR

Electronic components connected to discharge vessel via shielded triaxial cable. Supplied standard in 120V and 277V. Voltage must be specified. All components Philips.

LAMP

Philips 85W and 165W, 3000K or 4000K, with 100,000 hour lamp life.

ELECTRICAL

Generator is accessible through fixture. U.L. listed for use in damp locations.

ACCESSORIES

- OT** white oversize trim ring
- RP** remodel frame-in kit
- MC1**—Mounting clips for high hat style housings like H7, R10, and MX7.
- MC2**—Mounting clips for die cast plaster frames.
- MC4**—Bottom feed clips.
- MC5**—Slide clips for flat plaster frames.
- MC6**—Bottom feed clips for die cast aluminum mounting frames.

RQL9000

ORDERING INFORMATION

LAMP

- 1-55** 55W QL induction
- 1-85** 85W QL induction
- 1-165** 165W QL induction

120V

- RQL9055.A30.1** 55W
- RQL9085.A30.1** 85W
- RQL9165.A30.1** 165W

277V

- RQL9055.A30.2** 55W
- RQL9085.A30.2** 85W
- RQL9165.A30.2** 165W

COLOR TEMP

- 3000K
- 4000K

SUBMITTAL INFORMATION

TYPE:

PROJECT:

NOTES:

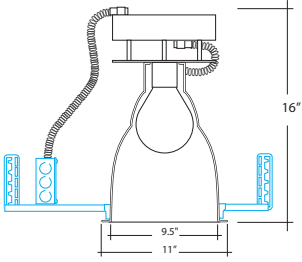
DESCRIPTION:

BURBANK,
CALIFORNIA,
91505
WWW.
DELRAY
LIGHTING.
COM

SEPT 2010

CLEAR ALZAK 30°

RQL9085.A30

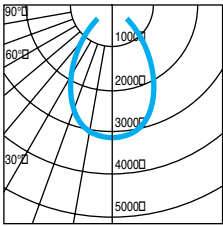


CONE OF LIGHT

MTG. HT.	FC/0°	DIA.
6'	73	6.6
8'	48	9.0
10'	30	10.5
12'	21	12.6
14'	15	15.3

50% FC at edge

CP DISTRIBUTION



COEFFICIENTS OF UTILIZATION

% CEILING 80 (20% FLOOR)

% WALL	70	50	30
0	86	86	86
1	82	80	78
2	78	74	71
3	74	69	65
4	69	63	59
5	65	59	54
6	61	54	49
7	57	50	45
8	53	46	41
9	50	42	37
10	45	36	31

NOTES

RQL9085.A30

1-85W QL induction lamp

Total lumens:- 6400

Spacing criteria: .9