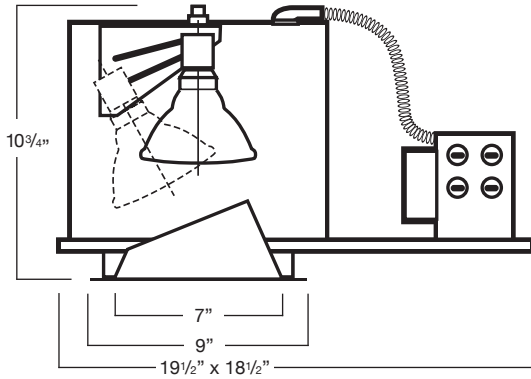


8" CERAMIC METAL HALIDE PAR LAMP ADJUSTABLE DOWNLIGHT



DELRAY
LIGHTING
INCORPORATED

MHA000

SPECIFICATION INFORMATION

HOUSING ASSEMBLY

- Pre-coated galvanized steel mounting frame and J-box.
- Telescopic bar hangers supplied, provides for off-center mounting on joists or T-bar.
- Porcelain lampholder rated for 4KVA, mounted to steel bracket with thumb screws to tilt 30° and swivel 360°.
- Ground wire included (prewired).

REFLECTOR

- Conical trim in matte anodized finish, self flanged.
- Held securely in place with pressure clips

BALLAST

- Electronic ballast, universal voltage 120V through 277V.
- Thermally protected.
- .99 power factor with THD < 10%.
- End of lamp life protection.
- **Use only ceramic protected metal halide lamps.**

ELECTRICAL

- Allows 4-in/4-out #12 AWG conductors rated at minimum 90° C.
- J-box and ballast are both accessible through fixture.
- U.L. listed for use in damp locations.

ORDERING INFORMATION

LAMP

- 1-39** 39W PAR30
1-70 70W PAR38
1-100 100W PAR38

120V OR 277V

- MHA039.UE** 39W
MHA070.UE 70W
MHA100.UE 100W

SUBMITTAL INFORMATION

TYPE:

PROJECT:

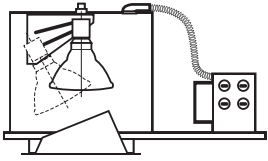
NOTES:

DESCRIPTION:

BURBANK,
CALIFORNIA,
91505
WWW.
DELRAY
LIGHTING.
COM

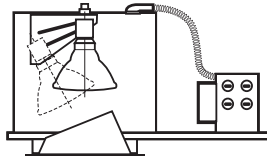
CLEAR ALZAK 30°

MHA039UE



CLEAR ALZAK 30°

MHA070UE

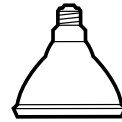


LAMP ORDERING INFORMATION

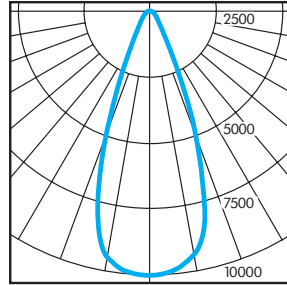
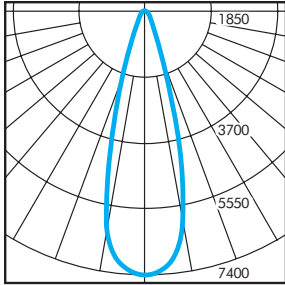
PAR30



PAR38



CP DISTRIBUTION



PAR30 CERAMIC METAL HALIDE

CATALOG #

83035SP

35W spot

83035FL

35W flood

NOTES

MHA039UE

35W FL PAR30L-FL
Medium base socket

MHA070UE

70W FL PAR30L-FL
Medium base socket

PAR38 CERAMIC METAL HALIDE

CATALOG #

83870SP

70W spot

83070FL

70W flood

83070WFL

70W wide flood

83810SP

100W spot

83010FL

100W flood

83010WFL

100W wide flood