

CYLINDRO COMPACT FLUORESCENT WITH OPAL ACRYLIC DIFFUSER

**DELRAY
LIGHTING
INCORPORATED**

640



TYPE:

PROJECT:

ORDER NUMBER:

Model#	Wattage	Voltage	Option
	5 x 18 or 26	1 -120V	BMR16 -50W MR16
	10 x 13	2 -277V	BAR111 -50W AR111
			BMR16LED -3.3W LED
			D3 -Dimming
			D9 -Dimming

Example:

6401	18	1	BMR16
------	----	---	-------

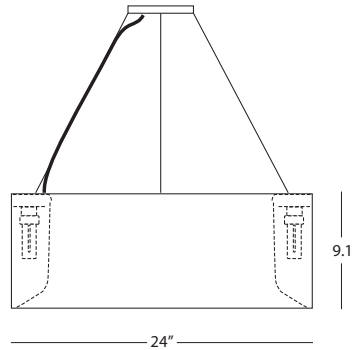
CYLINDRO PENDANT

- Canopy mounts to standard 3" mud ring.
- Electronic ballast fits inside fixture for easy access.
- Aluminum housing unlocks with a screw for servicing lamps or ballasts.
- Twist lock socket for secure, easy relamping.
- 6' standard pendant, with push button adjustable aircraft cable.
- Silver finish, with steel braided power cord. Diffuser is opal acrylic.
- Optional low voltage downlights available, for task lighting.
- May be ordered with one central or multi-point mount canopy.
- Dimming available with option **D3**, Advance Mark X, or **D9** Lutron Eco System, for 18 or 26W lamps. Voltage must be specified.
- U.L. Listed for damp locations.

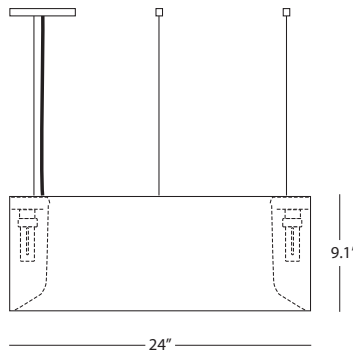
10 X 13W OPTION

- 120V only.
- Dimming not available.

6401
Central
Mount



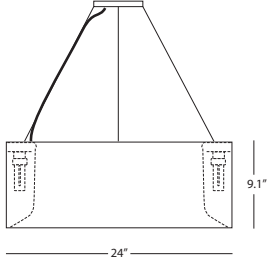
6402
Multi-Point
Mount



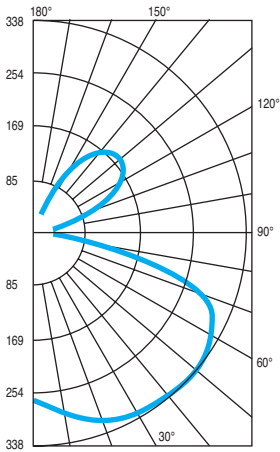
BURBANK,
CALIFORNIA,
91505
WWW.
DELRAY
LIGHTING.
COM

FLUORESCENT

5-18W



CP DISTRIBUTION



COEFFICIENTS OF UTILIZATION

% CEILING 80	(20% FLOOR)		
	% WALL 70	50	30
0	41	41	41
1	36	34	32
2	32	28	25
3	29	24	21
4	26	21	17
5	23	18	15
6	21	16	13
7	20	14	11
8	18	13	10
9	17	12	9
10	16	11	8

NOTES

6401.18

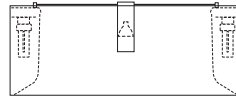
5-18W quad tube
G24q-2 electronic twist lock socket
Total lumens: 6250

DOWNLIGHT

BMR16-50W MR16

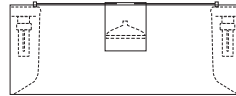
BMR16LED-3.3W LED

Downlight



BAR111-50W AR111

Downlight



BALLAST INFO

- 1-120V
- 2-277V.
- .98 power factor with THD<10%.
- End of lamp life protection.
- Manufacturer: Advance
- Lamp wattage:
20 - 18W lamp
30 - 26W lamp

DIMMING

- **D3** Advance Mark X, for 18 or 26W lamp.
- **D9** Lutron Eco System for 18 or 26W lamps.
- Voltage must be specified.

ACRYLIC DIFFUSER CLEANING

Warning: Do not clean with ammonia based cleaners (e.g. Windex®). Use only water or cleaners specifically formulated for cleaning plastics.