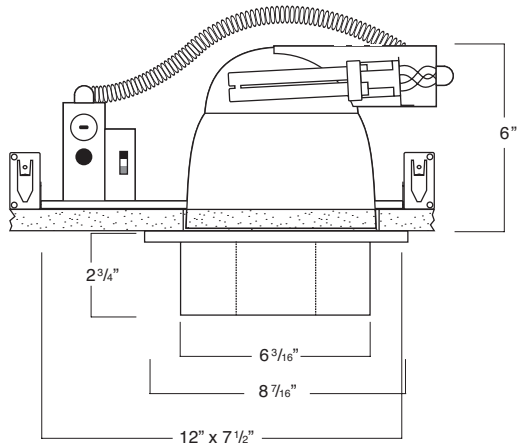


6" SEMI RECESSED CONCENTRIC RING OPAL GLASS DOWNLIGHT



SPECIFICATION INFORMATION

HOUSING ASSEMBLY

- Pre-coated galvanized steel mounting frame and J-box.
- Telescopic bar hangers supplied, provides for off-center mounting on joists or T-bar.
- Self flange type trim for clean, contemporary appearance.
- Ground wire included (prewired).

GLASS

- Concentric ring opal glass.
- Flat, frosted glass diffuser also supplied.

BALLAST

- Standard in universal voltage 120V through 277V.
- Thermally protected rapid start electronic ballasts use 4-pin lamps

- .99 power factor with THD<10%.
- End of lamp life protection.

ELECTRICAL

- Allows 4-in/4-out #12 AWG conductors rated at minimum 90° C.
- J-box and ballast are both accessible through fixture.
- UL /cUL listed for use in damp locations.

ACCESSORIES

- **CP**—Chicago plenum
- **FS**—inline fuse

DIMMING

- **D1** Lutron Compact SE for 18, 26 or 32W lamp.
- **D3** Advance Mark X for 18, 26 or 32W lamp.

- **D4** Lutron Tu-Wire for 18, 26 or 32W lamp. 120V *only*.
- **D5** Advance Mark VII for 18, 26 or 32W lamp.
- **D8** Lutron Hi-Lume for 26 or 32W lamp. Controls lumen output down to ±1%.
Note: two Lutron Hi-Lume ballasts are required for 2-lamp fixtures.
- **D9** Lutron Eco System for 26, 32W lamp.

EMERGENCY

- Voltage *must* be specified.
- **EM** emergency power provides 650 lumens for one lamp for 90 minutes
- **EM13** emergency power provides 1300 lumens for one lamp for 90 minutes

ORDERING INFORMATION

LAMP

- 1-18** 18W triple tube
- 1-26** 26W triple tube
- 1-32** 32W triple tube
- 2-18** 18W quad tubes
- 2-26** 26W quad tubes
- 2-32** 32W triple tubes

120V ELECTRONIC

4835.0.1 120V opal

277V ELECTRONIC

4835.0.2 277V opal

SUBMITTAL INFORMATION

TYPE:

PROJECT:

NOTES:

DESCRIPTION:

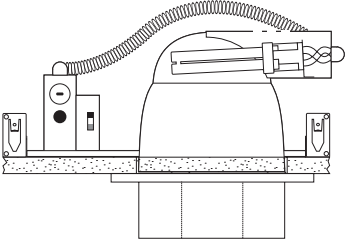
DELRAY
LIGHTING
INCORPORATED

4
8
3
5

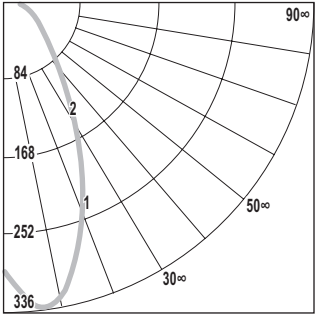
BURBANK,
CALIFORNIA,
91505
WWW.
DELRAY
LIGHTING.
COM

2-18W PLT

4835



CP DISTRIBUTION



COEFFICIENTS OF UTILIZATION

% CEILING 80 (20% FLOOR)

% WALL	70	50	30
0	22	22	22
1	20	19	18
2	18	17	16
3	17	15	14
4	16	14	12
5	15	13	11
6	14	12	10
7	13	11	9
8	12	10	8
9	12	9	8
10	11	9	7

NOTES

4835.0

2-18W triple tube
 G24q-2 electronic socket
 Total lumens: 2500
 Spacing criteria: 0.96
 Efficiency: 18.6%