

Q-UPLIGHT 4 LAMP COMPACT FLUORESCENT



TYPE:

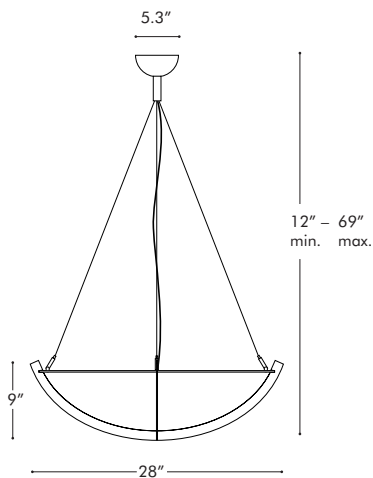
PROJECT:

ORDER NUMBER:

Model#	Wattage	Voltage	Options
3812	4-26, 32, 42W	UE 120-277V	Dimming:
3813	4-100W	1-120V only	D3, D4

CONSTRUCTION

Opaque acrylic diffuser is cradled in aluminum arms in a silver powder coat finish. Ballasts and lamp holders are suspended over diffuser in a steel housing. Canopy cover is held in place by rubber O-ring for a clean finished look. Fixture is suspended from four aircraft cables with push button adjustment, for easy hanging. Standard cable length is 5' (specify longer length). Power feed and canopy attach to standard J-box.



**DELRAY
LIGHTING
INCORPORATED**

3812

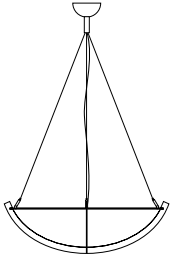
**BURBANK,
CALIFORNIA,
91505
WWW.
DELRAY
LIGHTING.
COM**

JULY 2008

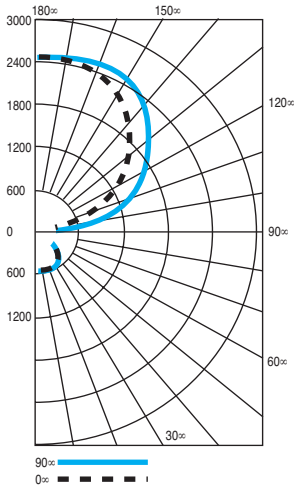
COMPACT FLUORESCENT

BALLAST INFO

4-42W TRIPLE TUBE



CP DISTRIBUTION



ZONAL SUMMARY

ZONE DEG.	AVG. C.P.
180	2535
175	2567
165	2558
155	2409
145	2244
135	1975
125	1635
115	1232
105	813
95	194
90	104
85	135
75	195
65	257
55	361
45	421
35	500
25	554
15	599
5	617
0	612

COEFFICIENTS OF UTILIZATION

% CEILING 80 (20% FLOOR)

% WALL	70	50	30
0	84	84	84
1	77	73	70
2	70	64	59
3	64	56	50
4	58	49	43
5	53	44	37
6	49	39	32
7	45	35	28
8	41	31	25
9	38	28	22
10	36	26	20

NOTES

3812

4-42W triple tube
 Total lumens: 12800
 Spacing criteria: 5
 32W CP x .76
 26W CP x .62
 Efficiency: 84.7%

- Standard in universal voltage 120V through 277V.
- Start time: 0.95–1.0 sec
- Number of starts: >50,000
- Starting temp: 0°F (-18°C)
- Ballast factor: 1.0
- Power factor: >0.99
- Total Harmonic Distortion: <10%

DIMMING

- Range: 5–100%
- Control wires: none

D4 Lutron Tu-Wire

- Wattage: 4 x 26 or 32W lamps
- 120V *only*

D3 Advance Mark X

- Wattage: 4 x 26, 32 or 42W lamps
- 120 or 277V (specify)