

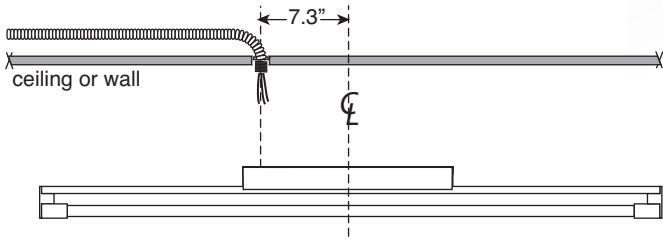
SWING

standard surface installation

WARNING: disconnect main power at the source prior to installation!

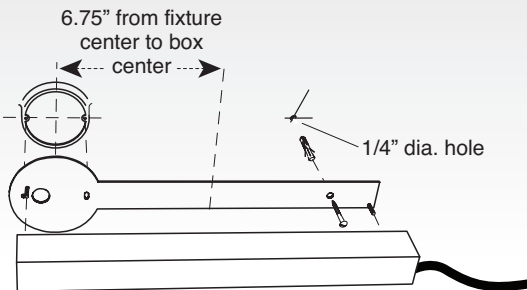
Only qualified electricians should install Delray Lighting products.

- 1 Attach 1/2" conduit to back plate with third party threaded connector.
- 2 Remove both sides of the ballast cover and ballast from back plate. Attach fixture to drywall using enclosed screws and re-attach ballast.
- 3 Connect power to ballast and ground cage clamp connectors provided. Use up to 14AWG maximum.
- 5 Slip socket covers over lamp and insert proper T5 lamp into socket, lock into place with a half turn. Slide socket covers back into position.

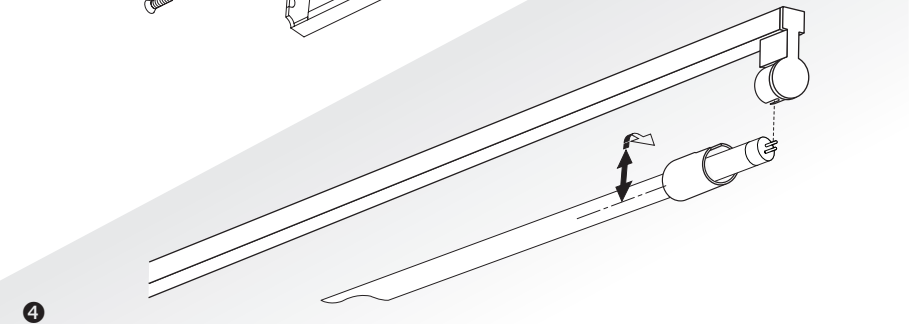
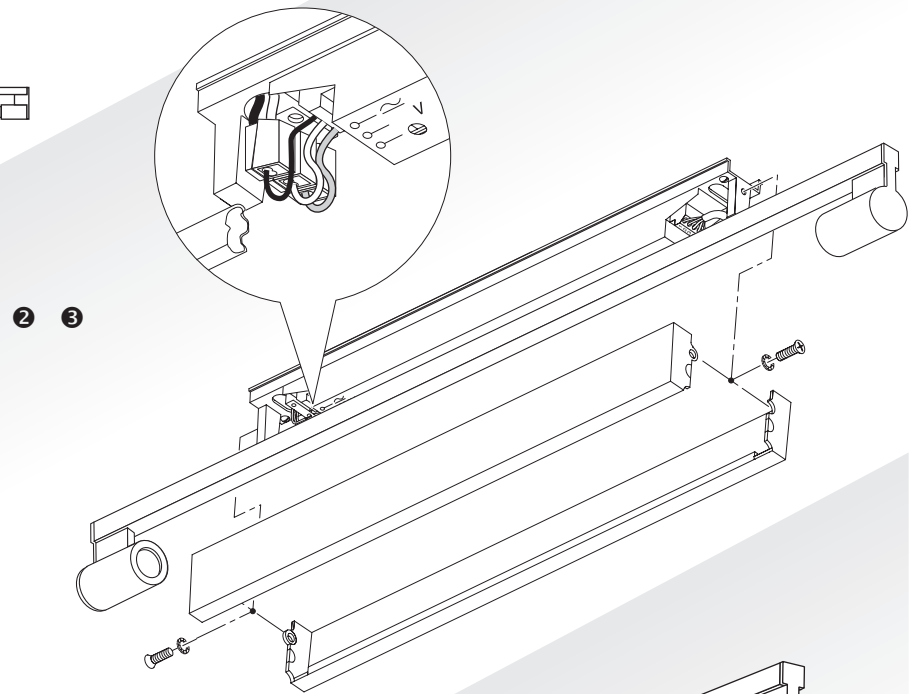
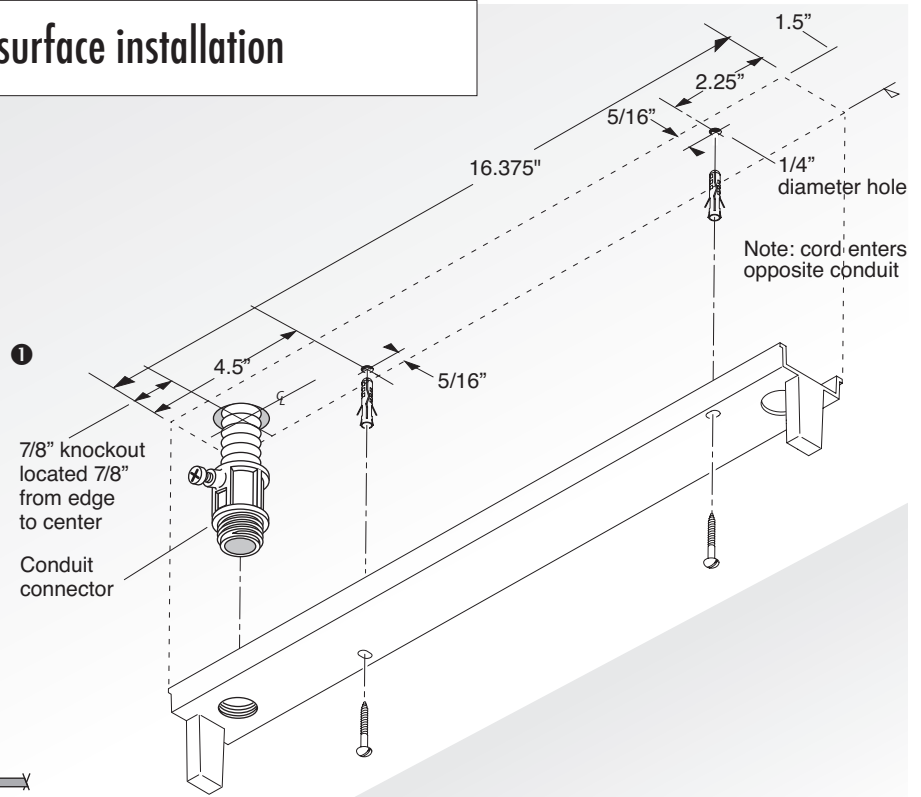


Note: Power Does Not Enter At Center

Optional Box Mount using part no. SW200
J-box mount to 3" mud ring



Note: align mud ring holes with fixture orientation.



DELRAY
LIGHTING
INCORPORATED