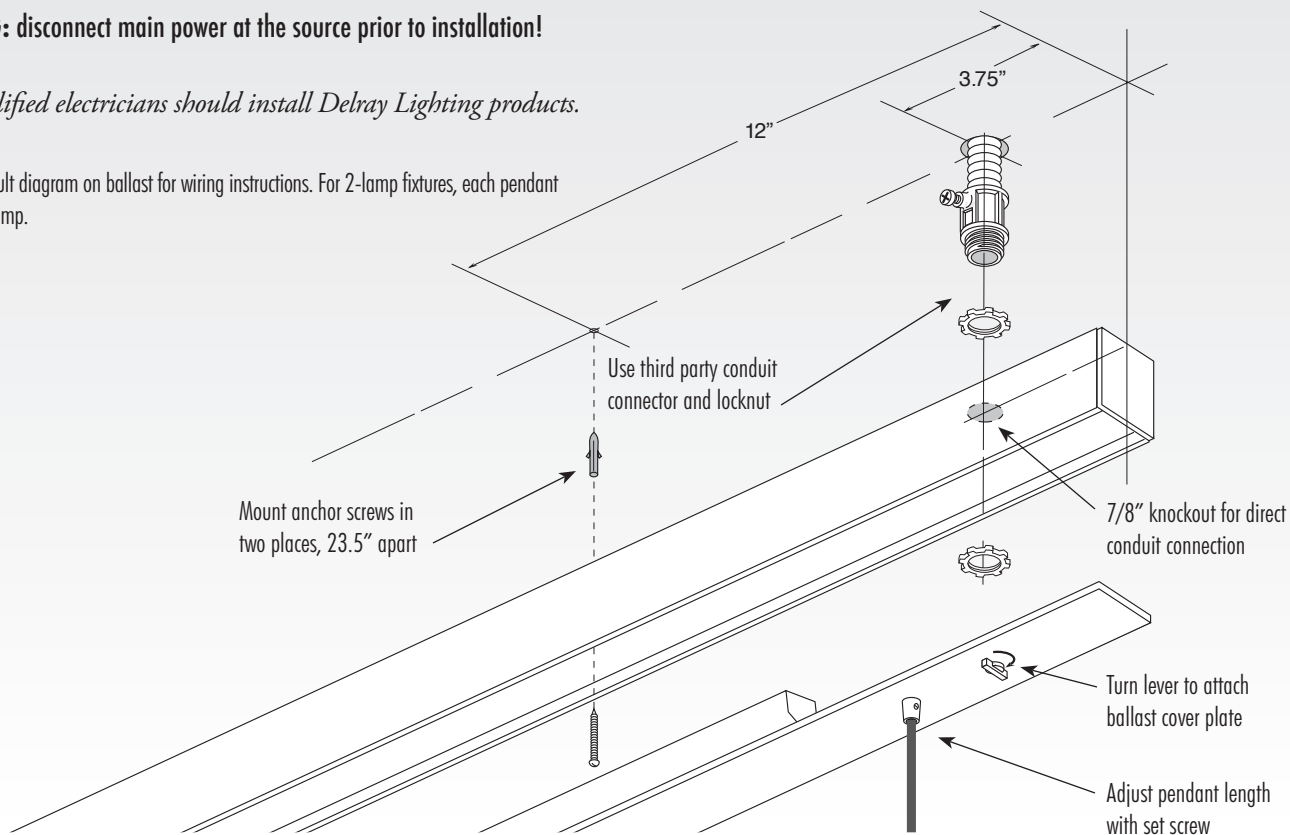


Mount Directly To Conduit

WARNING: disconnect main power at the source prior to installation!

Only qualified electricians should install Delray Lighting products.

NOTE: Consult diagram on ballast for wiring instructions. For 2-lamp fixtures, each pendant powers one lamp.



Remodel Box Cover

NOTE: Optional Box Cover will offset fixture from ceiling by 1/16"

Power feed may be centered by drilling a new opening

Use spacer on back side of rail

Turn lever to attach ballast cover plate

Adjust pendant length with set screw

