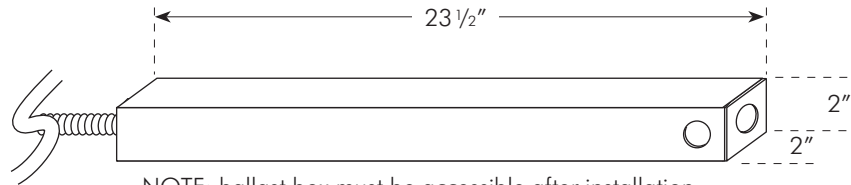


**WARNING:** Disconnect main power at the source prior to installation!  
 Fixture must be installed by a qualified electrician.

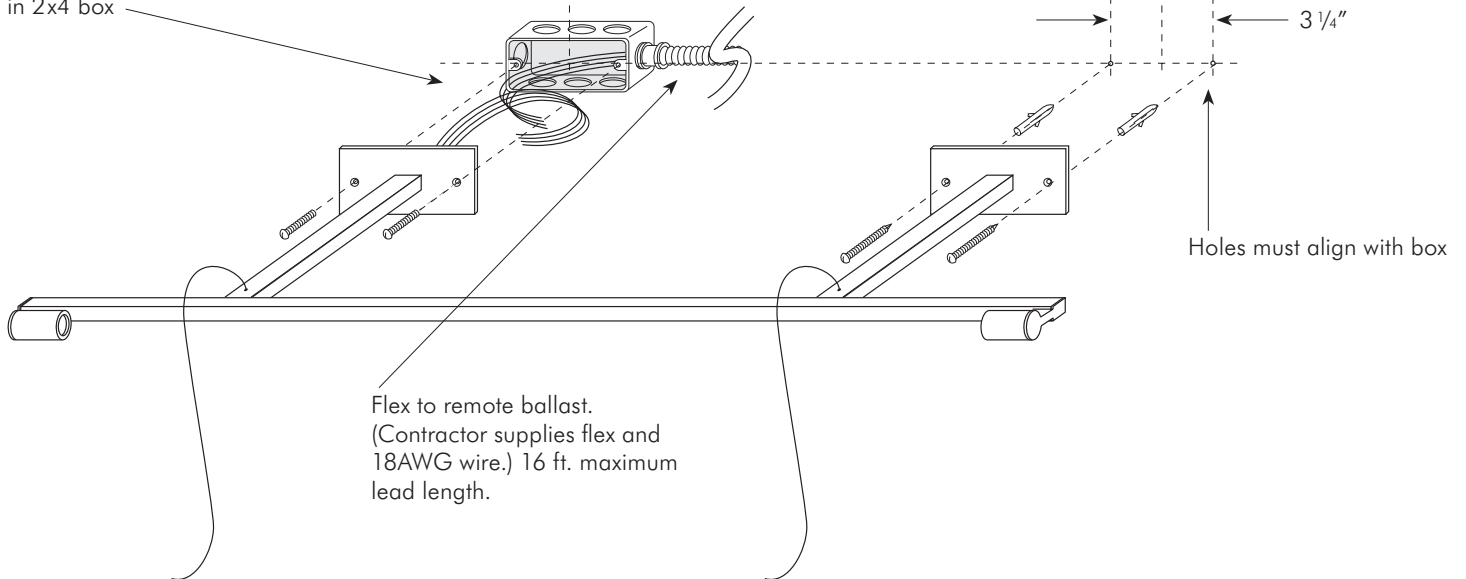
**1** Mount Fixture To Wall



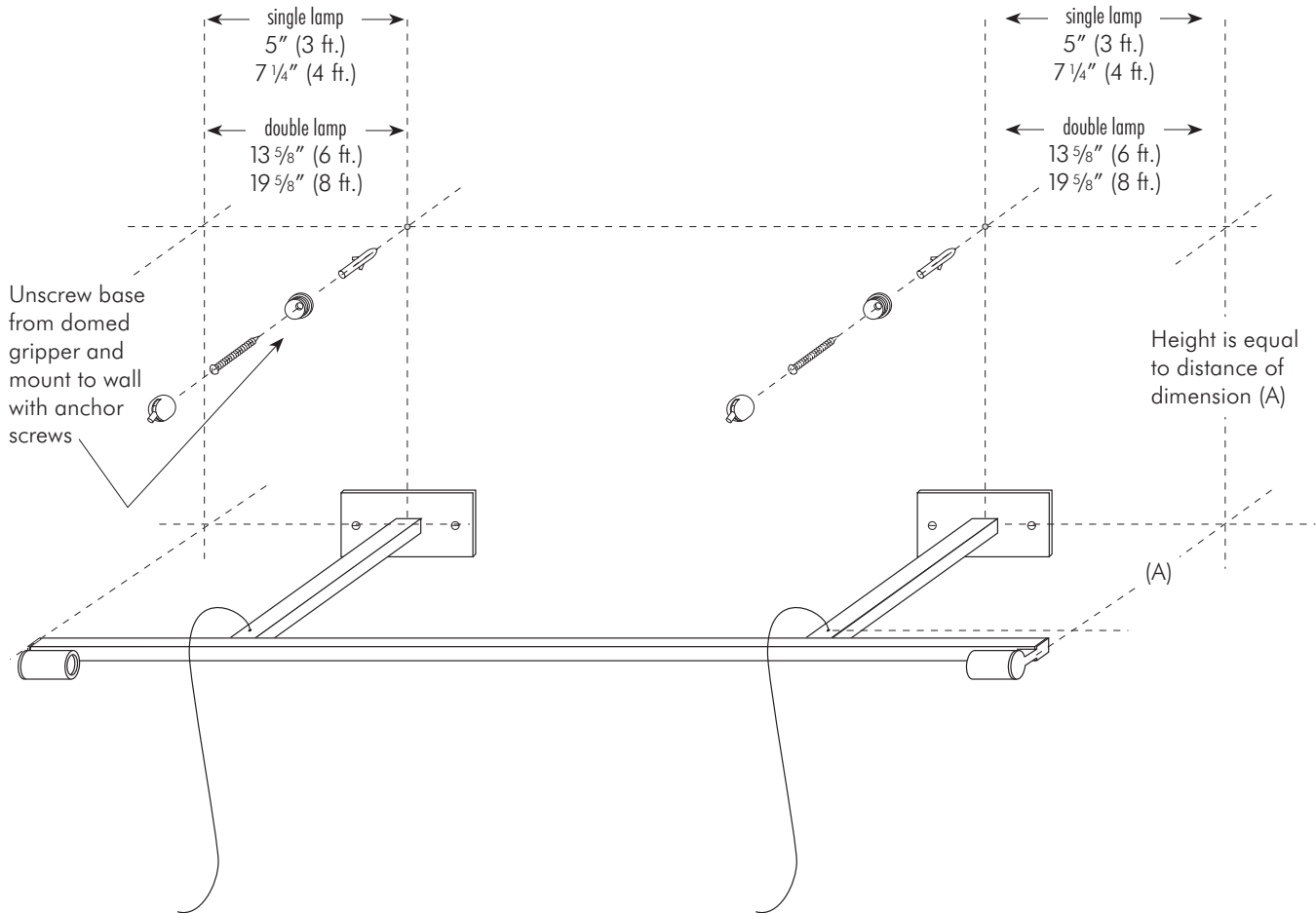
NOTE: ballast box must be accessible after installation.  
 Lamp to ballast distance must not exceed 16 ft.

25 7/16" for 3' fixture  
 32 3/4" for 4' fixture  
 43 5/8" for 6' fixture  
 55 3/4" for 8' fixture  
 center to center

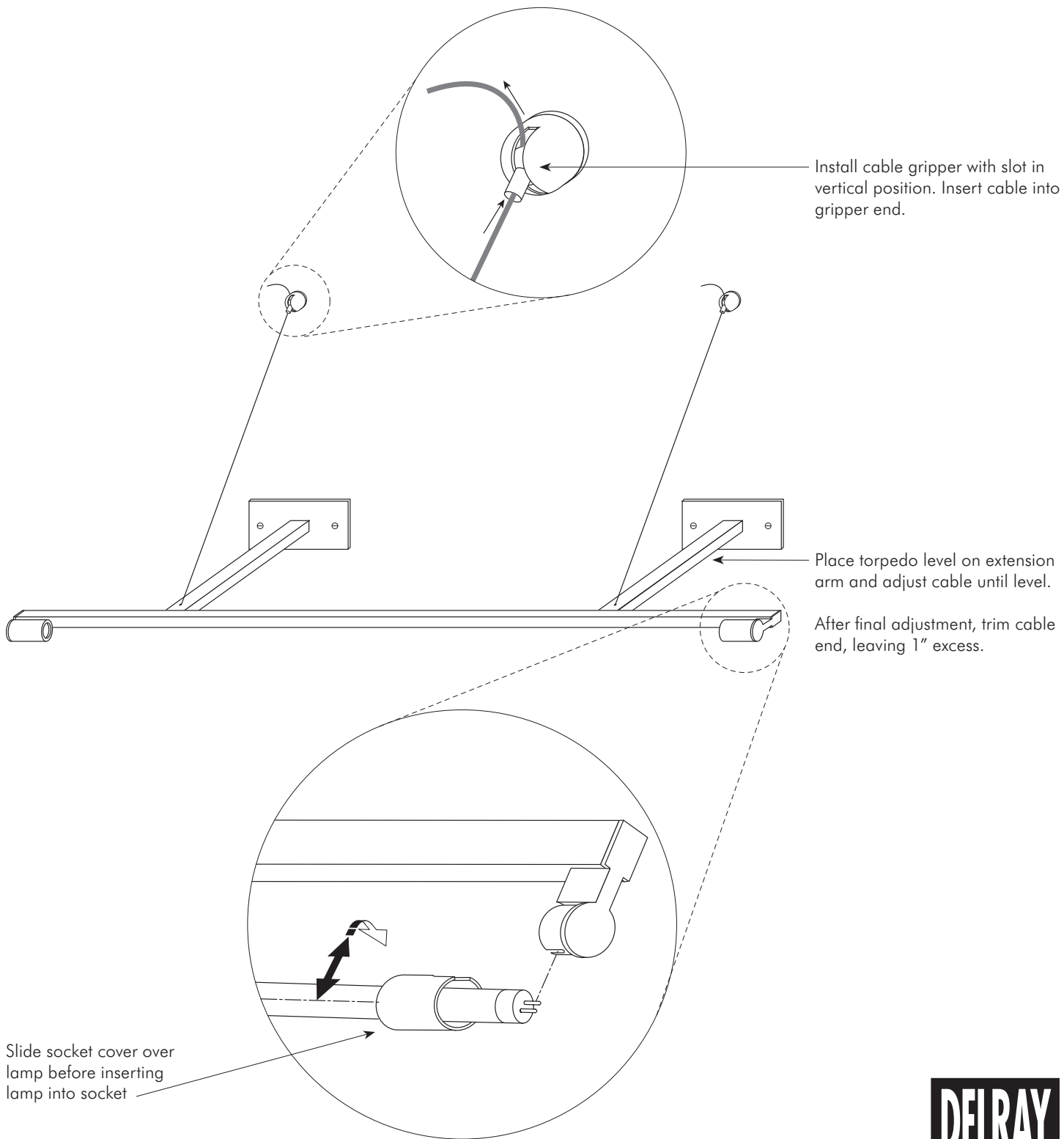
Make lamp wire connections  
 in 2x4 box



**2** Mount Cable Gripper  
(Not applicable to extension arms less than 10")

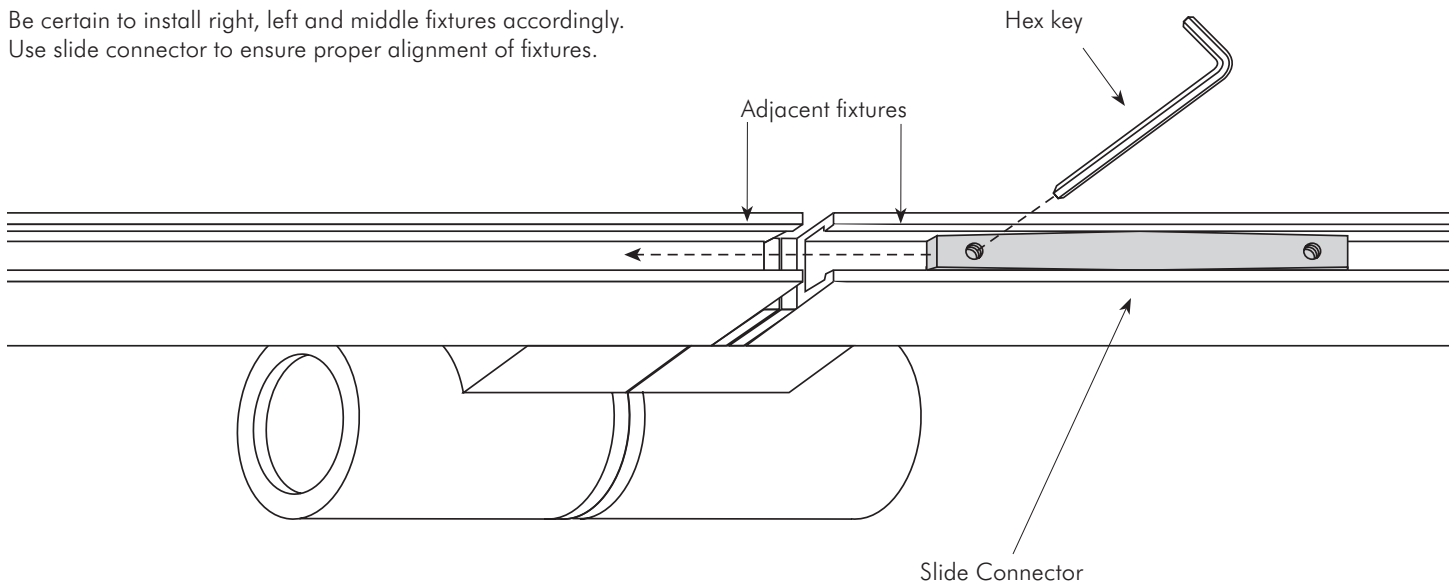


### 3 Install Aircraft Cables



### For continuous runs of multiple fixtures:

Follow instructions for rail or remote ballast installations.  
Be certain to install right, left and middle fixtures accordingly.  
Use slide connector to ensure proper alignment of fixtures.



### Cable Suspension:

Projections of more than 12 inches require cable support.

