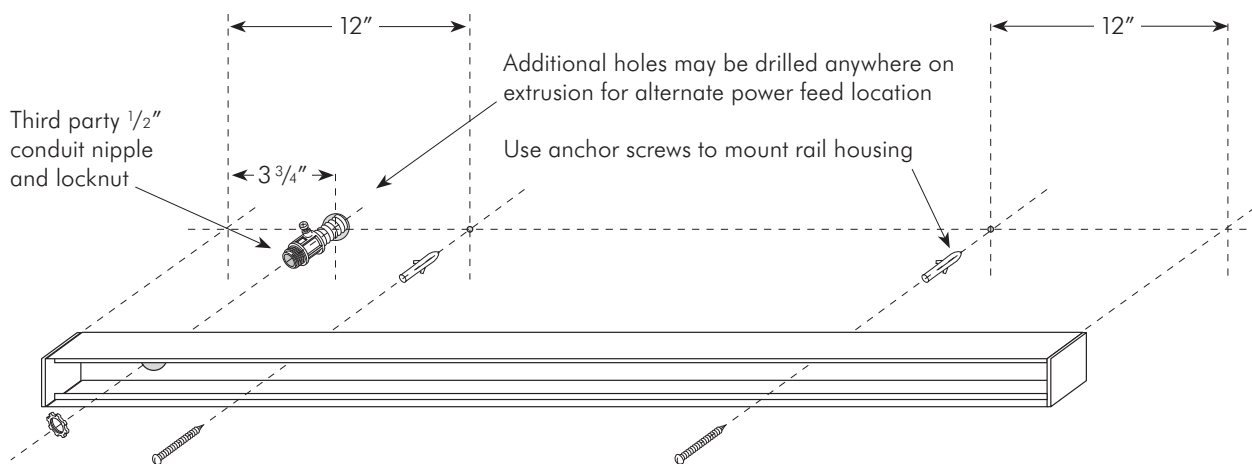


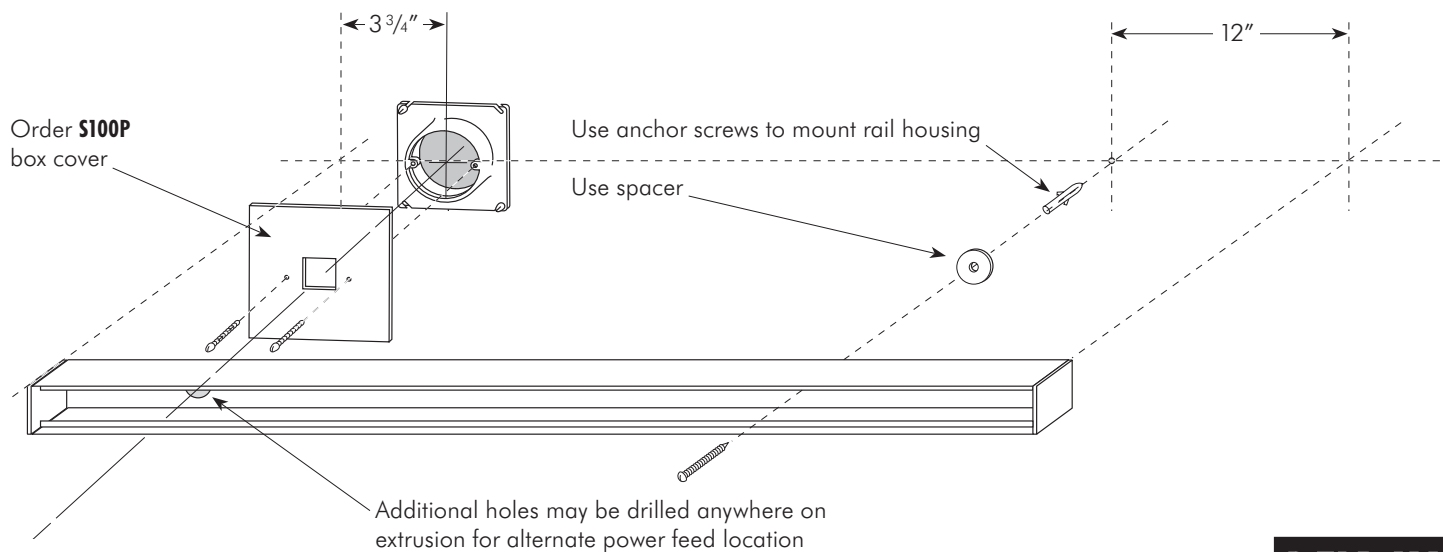
**WARNING:** Disconnect main power at the source prior to installation!  
Fixture must be installed by a qualified electrician.

### 1 Mount Rail Housing To Wall

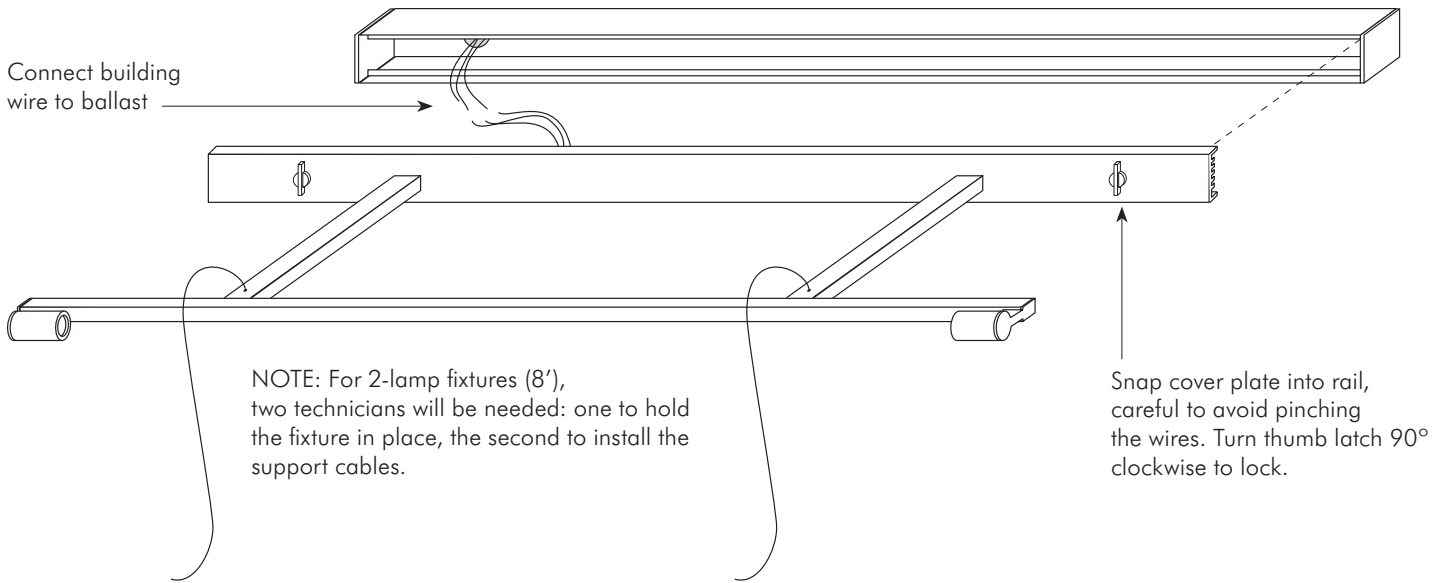
#### Direct Conduit Feed



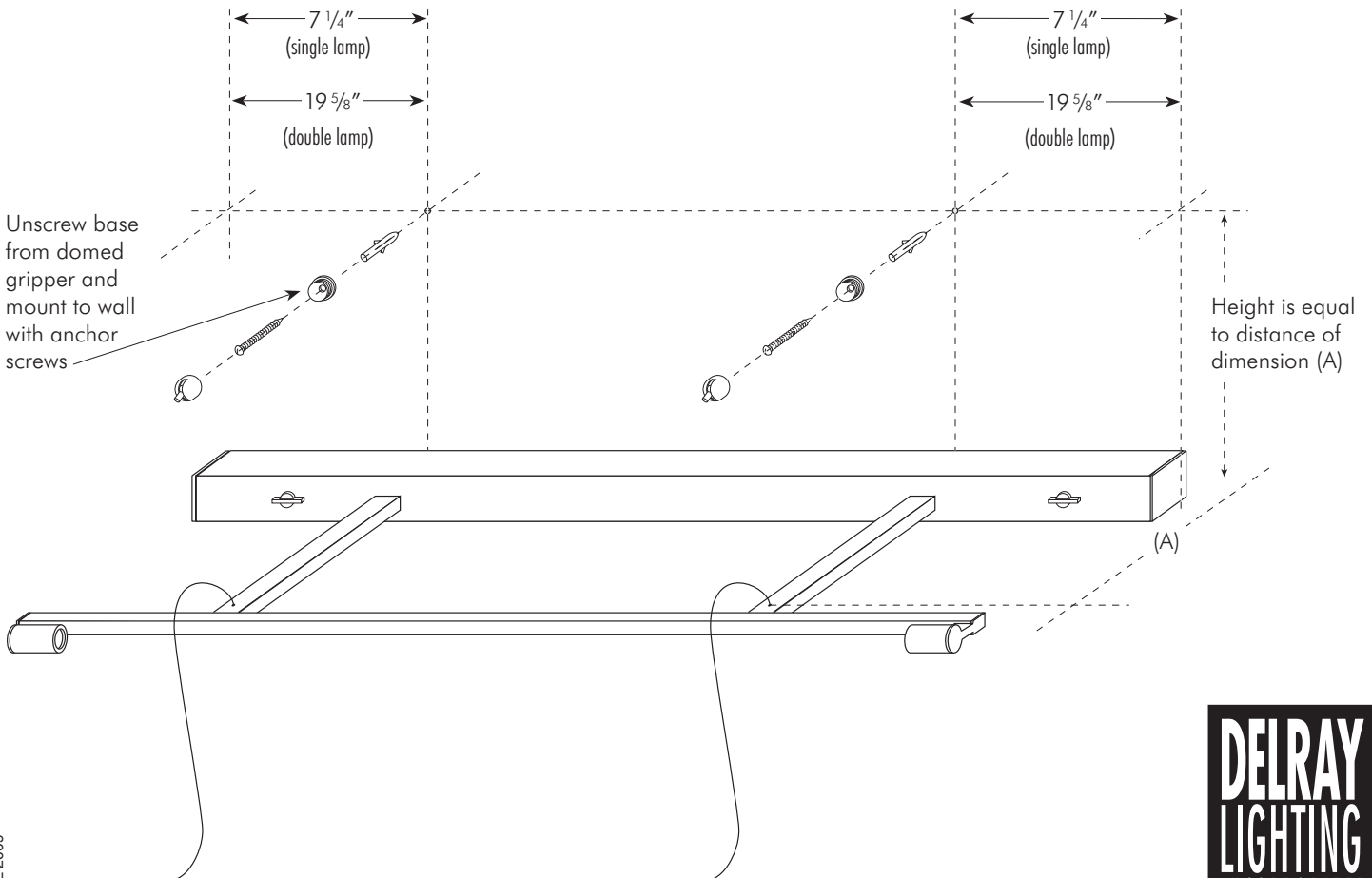
#### Optional Box Mount



### 2 Mount Cover Plate To Rail



### 3 Mount Cable Gripper (Not applicable to extension arms less than 10")



Continued →

### 4 Install Aircraft Cables

