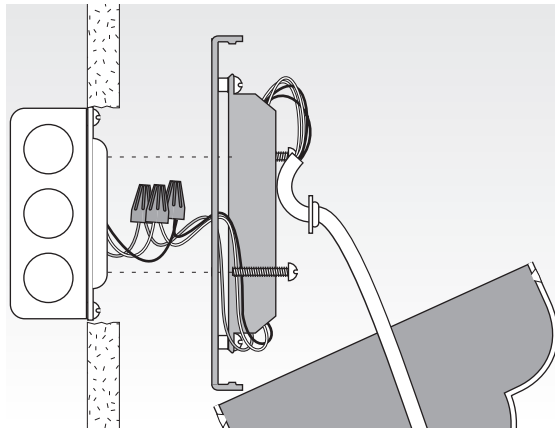


Fixtures mounted in wet locations are not intended for uplighting and, therefore, should only be mounted in a lamp socket down position.

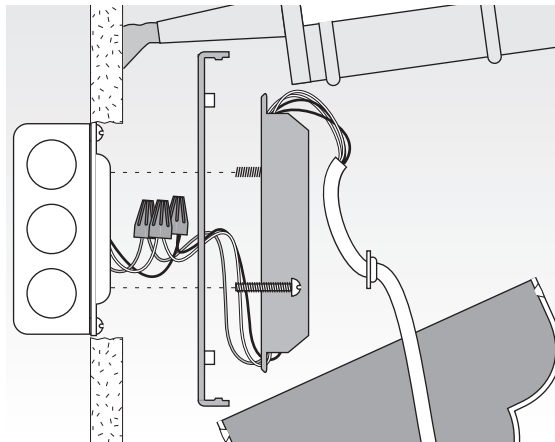
### WIRE

Make wiring connections in wall box and attach back plate.



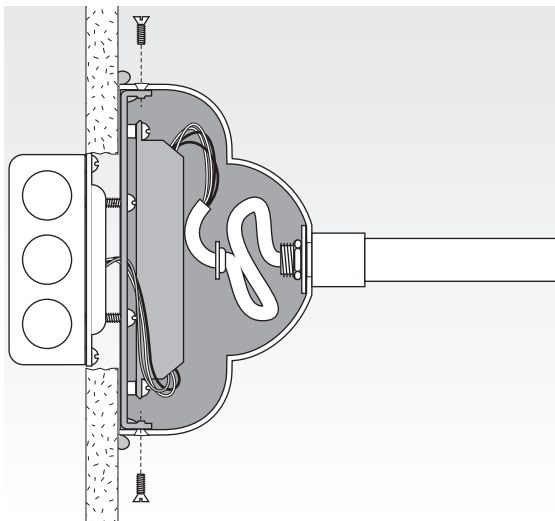
### SEAL

Use caulking approved for outdoor applications to apply a 1/2" wide bead around the back plate.

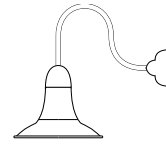


### MOUNT

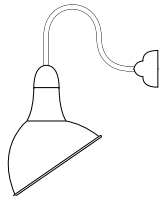
Attach canopy to back plate and verify that the caulking is well sealed around the edge.



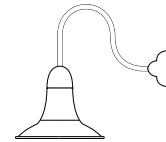
P1



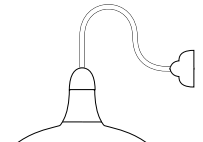
P2



P3



P4



**WARNING** Risk of fire or electric shock. RLM installation requires knowledge of fluorescent lighting fixture electrical systems. If not qualified, please do not attempt installation. Contact a qualified electrician.

1. To ensure successful installation, please read these instructions and review diagrams thoroughly before beginning.
2. All electrical connections must comply with local codes and ordinances or the National Electrical Code. If unfamiliar with methods of installing electrical wiring, please secure the services of a qualified, licensed electrician.
3. Before beginning installation, disconnect the power by turning off the circuit breaker or by removing the fuse in the fuse box. **Turning off the light switch is not sufficient to prevent electrical shock.**

NOTE: the instructions and safety precautions included herein cannot replace caution, care and experience. Those elements must be supplied by the person or persons installing and operating this fixture.

Review the box contents. It should contain a complete fixture, consisting of RLM fixture itself, half inch pipe mount, canopy, back plate with ballast, and wire connectors.

Wire the luminaire following the wiring diagram on the ballast or inside the box. Use U.L. Listed wire connectors suitable for the size, type and number of conductors. No loose, unattached wires should remain after installation.

Secure wire connectors with U.L. listed electrical tape and wire nuts. Install the lightbulbs (not included). Refer to the relamping label located on the reflector for correct lamp wattage. **Do not exceed recommended wattage.** Restore electricity, check and enjoy your new lighting fixture.