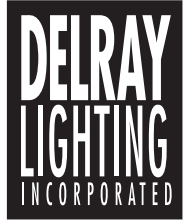


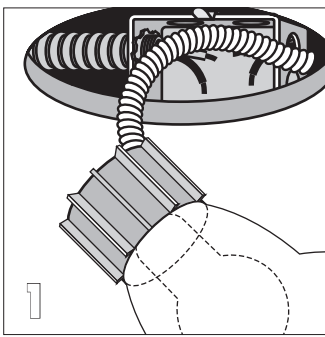
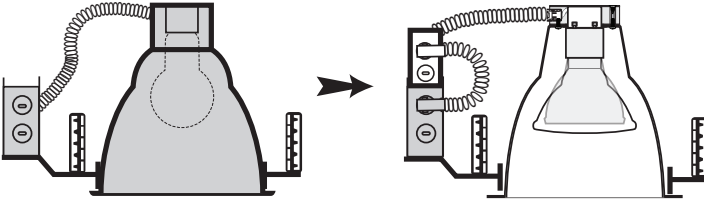
GU24 LED

Conversion Kit for Recessed Lighting

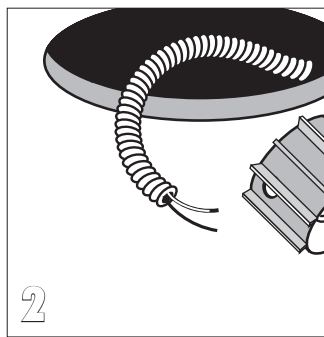
WARNING: Risk of fire or electric shock. Install this kit only in a fixture that has the construction features shown in these installation instruction drawings.



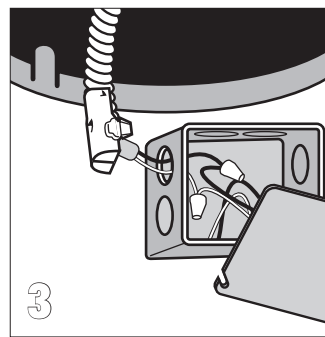
APR 2011



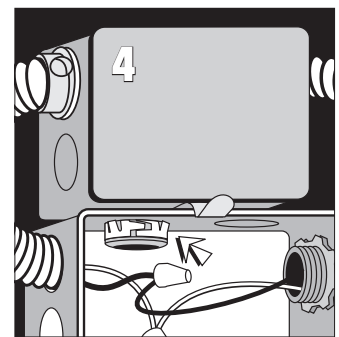
1 Pull down existing reflector from plaster frame



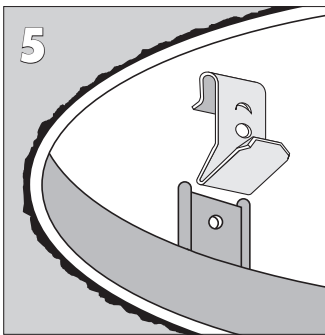
2 Carefully cut socket wires and detach power feed from socket



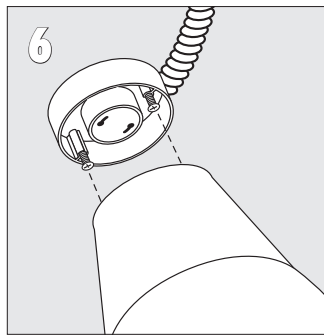
3 Attach power feed to new socket cap j-box and wire-up



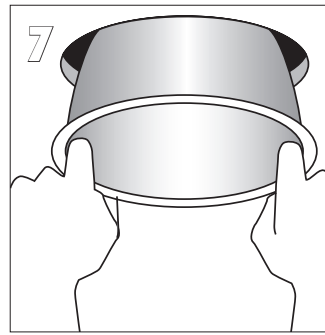
4 Connect socket j-box to existing J-box for support, use box connector



5 Snap on MC2 spring clips to mounting frame



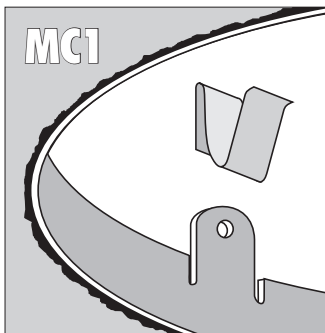
6 Attach new reflector to lamp holder by keyhole slots



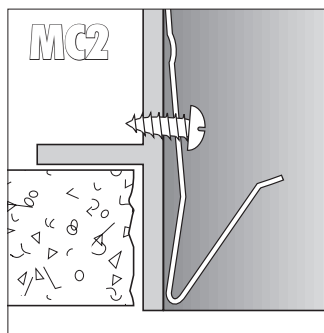
7 Slide reflector into frame, insert proper lamp and check operation

Note:

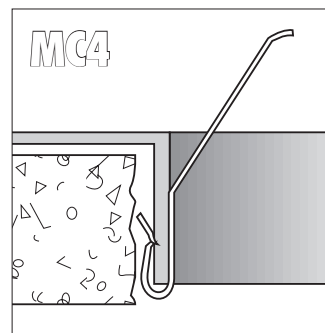
The existing fixture you are retrofitting may require other clip options. If you have any problem with the MC2 clip, please study the following clip options to determine the best clip.



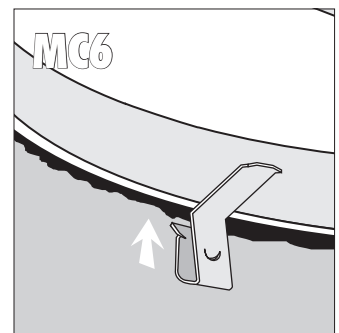
MC1 Clip snaps onto mounting frame screw holes



MC2 MC2 clip can be screwed into side of frame



MC4 Clip mounts under mounting frame collar



MC6 Three clips for plaster frames with thick die case aluminum collars. Clips slide up under frame.

**FIXTURE CONVERSION, RETROFIT CLASSIFIED BY UNDERWRITERS LABORATORIES INC.®
FOR USE WITH IDENTIFIED FIXTURES ONLY**

DELRAY 5" RL5	LIGHTOLIER 5" 7780	HALO 5" H43	MARCO 5"	PRESCOLITE 5" 29H 1054 1212 1220 1222 1252 1260	PROGRESS 5" P10 P20 P35 P6916	OMEGA 5" C3212 C3512 C3533 C3543 E4300	CAPRI 5" ADX6 A15X	E. PRICE 5" 38/5AA A19/5 A19/55 AR/4 DL38/6 MR/4	K. VERNON 5" C7319 E7519	JUNO 5" TC20 TC919	KIRLIN 5"	LITHONIA 5" A5 AZ6 JE1 LPJ
6" RL6	6" 7029 7054 7059 7280 7284 7705 7760 7771 7774	6" H7 H27 H44 H7LUT H7601 H7620 M7600	6" D201 D202 E201	6" 39H 1058 1224 PBX	6"	6" AE60X AE01X AE11X AE75X LV10TX R10 RMA100	6" AE60X AE01X AE11X AE75X LV10TX R10 RMA100	6" A21/6 A21/65 DL38/6	6" A7150 C7319 E7519 E7552	6" TC2 TC906 TC920	6"	6" A6 D6JE LICJ LQJ R52 RB1 RB3 RC1 RO1 RX1 RX2
7" RL7	7" 1102	7" H500 H600 M700	7" A300 D301 D302 D306 E301 V200 V275 W300	7" 79	7" P6 P7 P8 P21 P36 P6952 P6976 P6995 P6996	7" C4213 C4503 EY4000	7" LV3TX LV4TX	7" DL30 DL/38/40	7" B7224 D7424 D7455	7" TC45 TC46	7"	7" 79
7.5" RL7.5	7.5" 7032 7042 7055 7060 7709 7776 33121 33923	7.5" H7800 H7801 H7802 H7840 H7901 H7940 M7800	7.5" D401 E300 E401 R201	7.5" 1060	7.5" P19	7.5" C5000	7.5" AD8X AE03 AE14X AE85X	7.5" A21/7 A23/7 A25/7	7.5" A7152 D7447 E7552	7.5" H708 T906 TC908 TC925	7.5"	7.5" 1060
8" RL7.5	8" 7707	8" H42 H46	8" A504 A602 D401 D402 D408 E400 W400	8" 84	8"	8" C5014 C5023 C5025 C5084 C5504 C5515	8" A15X	8"	8" B7224 D7424 D7455	8" TC5 TC940	8"	8"
9" RL9	9" 33013 34000	9" M7010 M7011	9"	9"	9"	9" C7552 C7553 C7562 C7563 C7573	9"	9"	9" E7552	9"	9"	9"

WARNING Risk of fire or electric shock. Reflector kit installation requires knowledge of fluorescent lighting fixture electrical systems. If not qualified, do not attempt installation. Contact a qualified electrician.

- To ensure the success of the installation, be sure to read these instructions and review the diagram thoroughly before beginning.
- All electrical connections must be in accordance with local codes, ordinances or the National Electrical Code. If you are unfamiliar with methods of installing electrical wiring, secure the services of a qualified licensed electrician.
- Before starting the installation, disconnect the power by turning off the circuit breaker or by removing the fuse at the fuse box. Turning the power off using the light switch is not sufficient to prevent electrical shock.

NOTE: The important safeguards and instructions appearing in this manual are not meant to cover all possible conditions and situations that may occur. It must be understood that common sense, caution and care are factors which cannot be built into any product. These factors must be supplied by the person(s) caring for and operating the fixture. Check the contents of the box. You should receive:

- Wiring harness consisting of J-box with flexible whip and socket cap.
- Wire connectors, flex connector, J-box connector
- Reflector
- Mounting Clips and GU24 based self-ballasted lamp.

Use U.L. listed wire connectors suitable for the size, type, and number of conductors. No loose strands or loose wires should be present. Secure the wire connectors with U.L. listed electrical tape and wire nuts. Refer to the relamping label located on the reflector for correct lamp wattage—do not exceed recommended wattage. Restore electricity and check your new lighting fixture.