

# REMODEL DOWNLIGHT INSTALLATION INSTRUCTIONS

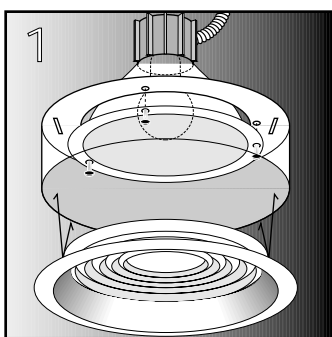
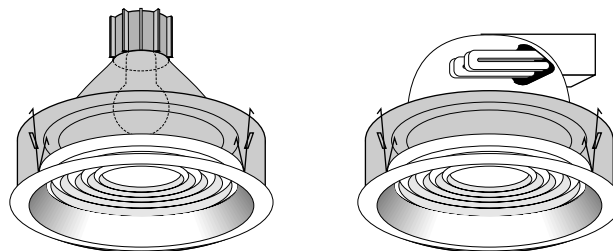
9/93



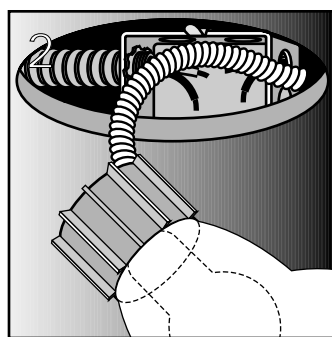
For lensed fixtures

**WARNING:** Risk of fire or electric shock. Install this kit only in a fixture that has the construction features shown in these installation instruction drawings.

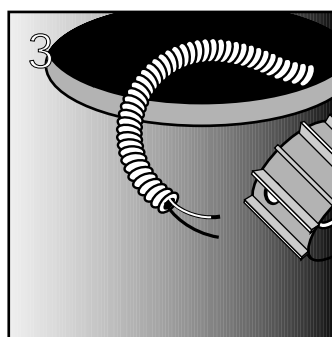
See back page for listing of U.L. Classification



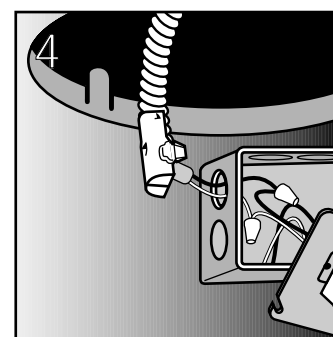
1 Pull down existing lens assembly and remove reflector screws



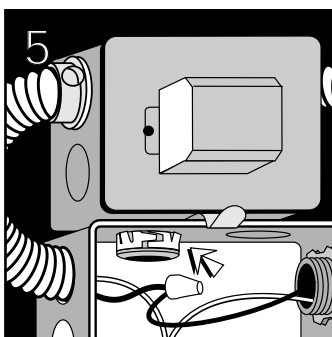
2 Remove reflector assembly



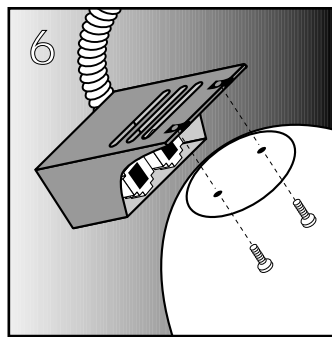
3 Carefully cut socket wires and detach power feed from socket



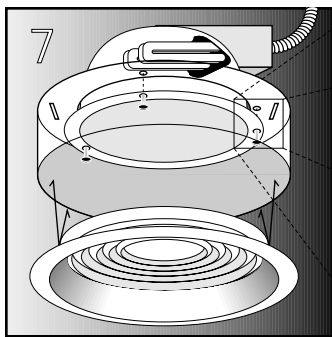
4 Attach power feed to ballast assembly and wire-up



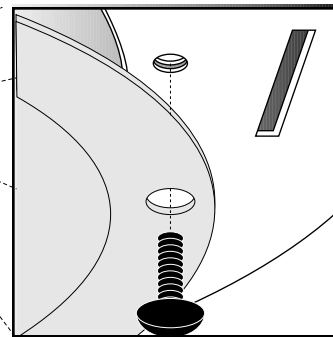
5 Connect ballast assembly to J-box for support, use box connector



6 Attach reflector to lamp holder by keyhole slots and tighten screws

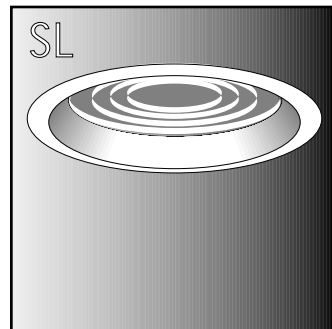


7 Install reflector with lamps and re-install lens assembly



Delray reflectors are pre-cut to fit in existig holes when specified

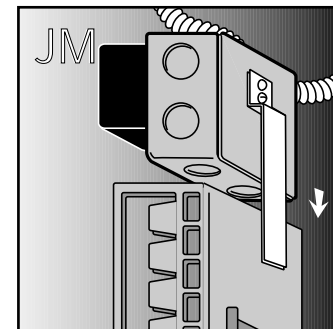
## TRIM AND MOUNTING OPTIONS



SL Splay lens to replace damaged or missing trim



SBL Splay lens with baffle to replace damaged or missing trim



JM J-box mounting strap for ease of installation