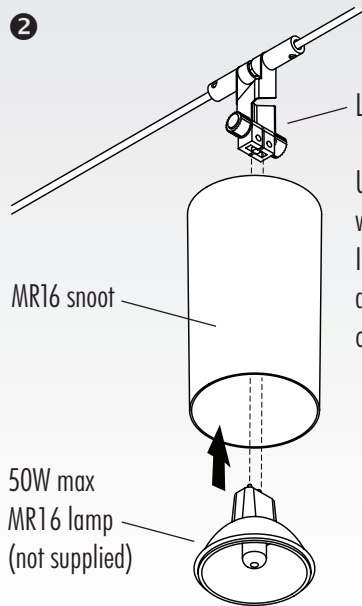
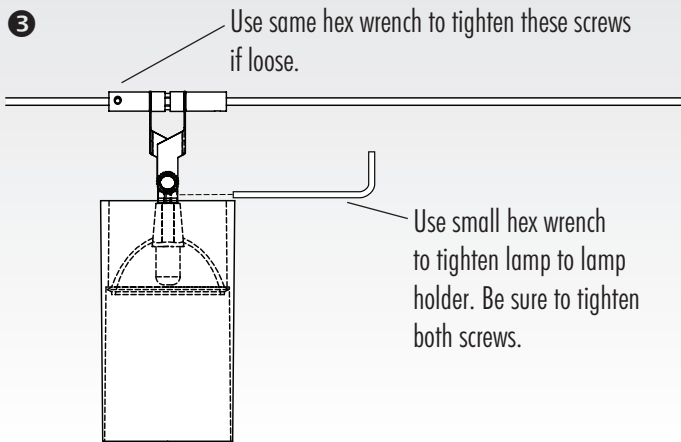


**1**  
**Install Cylindro fixture first.**  
 Do not install BMR16 spotlight until the Cylindro fixture is hanging in its final position.



**2**  
 Unpack BMR16 with two hex wrenches, and MR16 snoot. Insert lamp into bottom of snoot and hold in place with lamp contacts in lamp holder.

50W max  
 MR16 lamp  
 (not supplied)

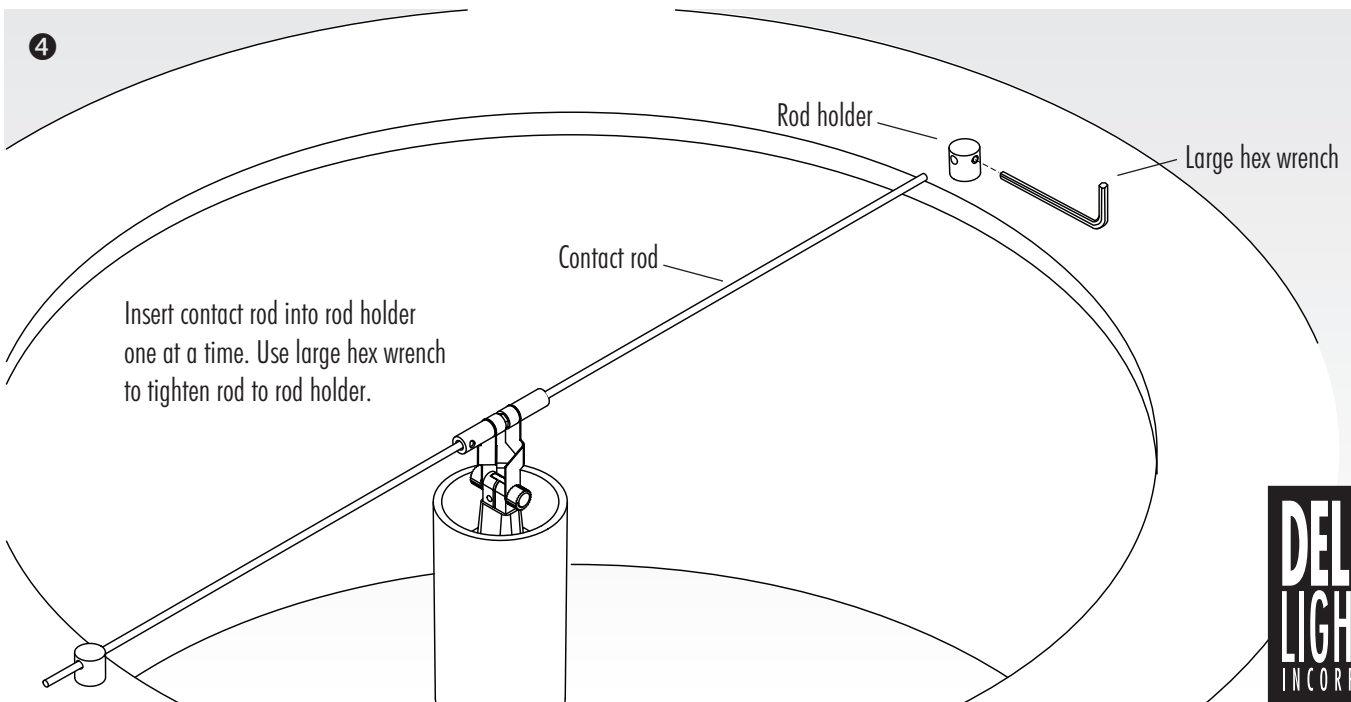


**3**  
 Use same hex wrench to tighten these screws if loose.

Use small hex wrench to tighten lamp to lamp holder. Be sure to tighten both screws.

### WARNING: RISK of ELECTRIC SHOCK

Do not install in fixture with power on. Never allow suspension cables to touch BMR16 contact rods or rod holder. Do not use MR16 lamp with more than 50 watts. BMR16 should be installed only after the Cylindro fixture is suspended in its final position.



**4**  
 Insert contact rod into rod holder one at a time. Use large hex wrench to tighten rod to rod holder.

Rod holder

Large hex wrench

Contact rod