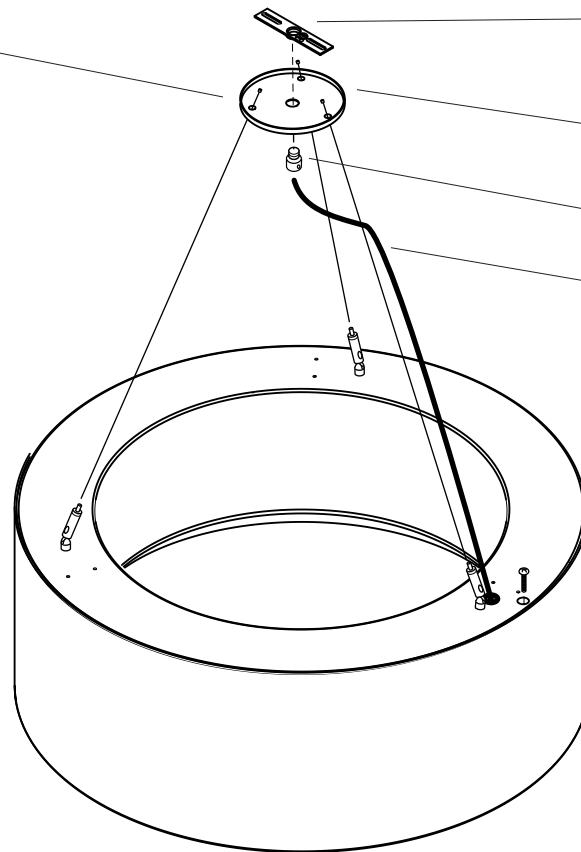


WARNING: disconnect main power at the source prior to installation!

Only qualified electricians should install DeRay Lighting products.

Insert aircraft cables into canopy.



Attach mounting strap to J-box.

Canopy

Strain Relief

Pass power cord through strain relief, canopy and mounting strap.

If your fixture has DMX control wires, your canopy will have a second hole through which to pass the wires.

DIFFUSER CLEANING

Warning: Do not clean with ammonia based cleaners (e.g. Windex®). Use only water or cleaners specifically formulated for cleaning plastics.