

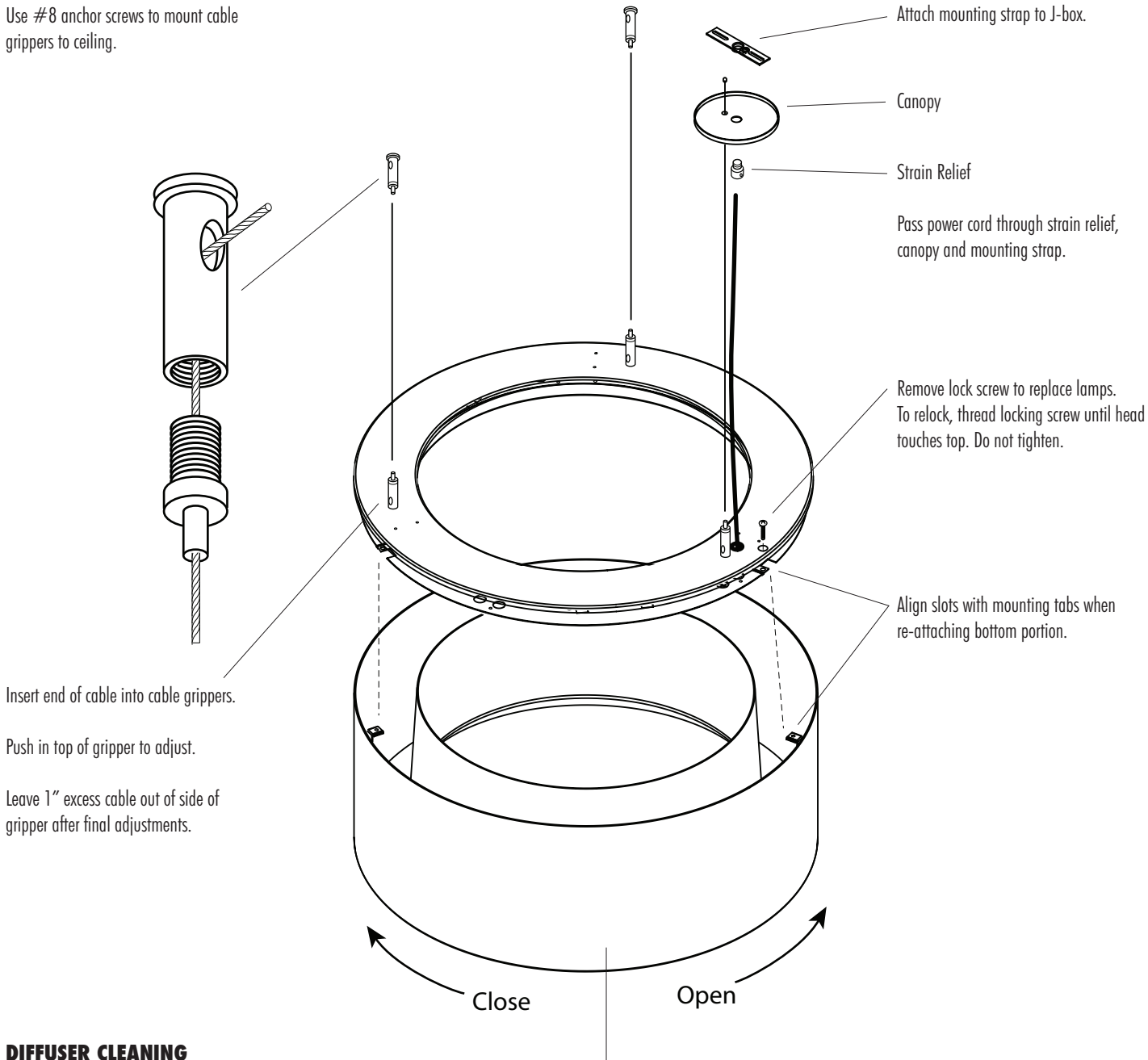
CYLINDRO 6401/6402

Mounting Instructions

WARNING: disconnect main power at the source prior to installation!

Only qualified electricians should install DeRay Lighting products.

Use #8 anchor screws to mount cable grippers to ceiling.



Insert end of cable into cable grippers.

Push in top of gripper to adjust.

Leave 1" excess cable out of side of gripper after final adjustments.

DIFFUSER CLEANING

Warning: Do not clean with ammonia based cleaners (e.g. Windex®). Use only water or cleaners specifically formulated for cleaning plastics.

After removing locking screw, twist bottom portion of fixture (about 1/2") to remove for relamping.