

WARNING:

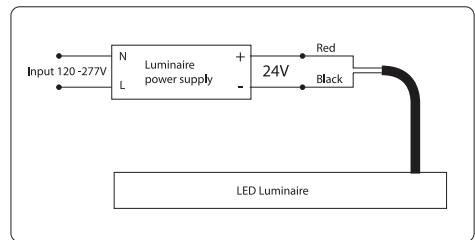
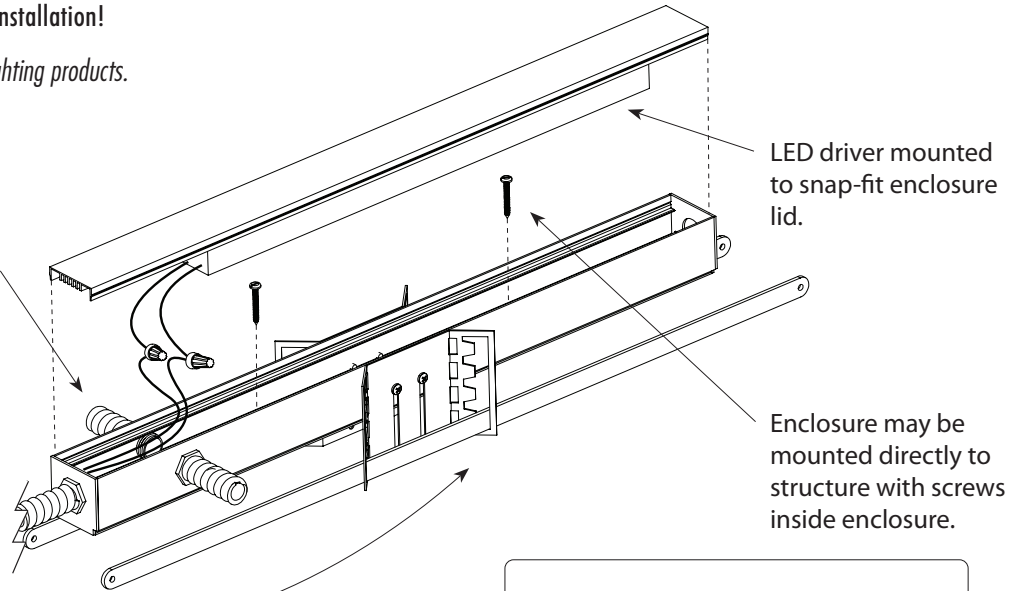
Disconnect main power at the source prior to installation!

Only qualified electricians should install Delray Lighting products.

Enclosure has two knockouts for 1/2" conduit fittings, and may be ordered with optional end caps (shown).

Knockouts are located 3 1/2" from the end of the enclosure.

To mount in suspended ceilings, use removable bar hangers.



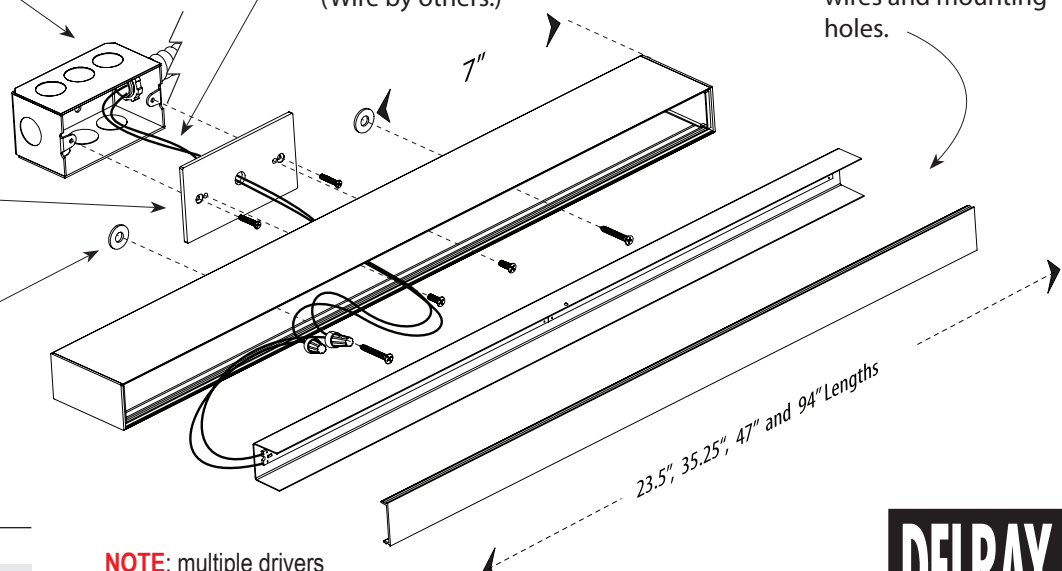
Mount 2x4 box inline with fixture center (box and conduit by others).

Mount cover plate (provided) to box, and attach fixture to cover plate

Mounting holes for #8 screws are 7" from enclosure ends. Use spacers, provided.

Connect low voltage wires to LED driver. Consult Max. Wiring Distance table below, left. (Wire by others.)

Remove snap-fit acrylic lens and LED board to access wires and mounting holes.



Max. Wiring Distance (at full load)

Wire Size (AWG)	Distance (ft.)
18	18
16	29
14	46
12	71
10	120

NOTE: multiple drivers must be mounted no less than 4 inches apart side-by-side, and 1 inch apart end-to-end, to avoid overheating.