

BIG LIGHT 6300

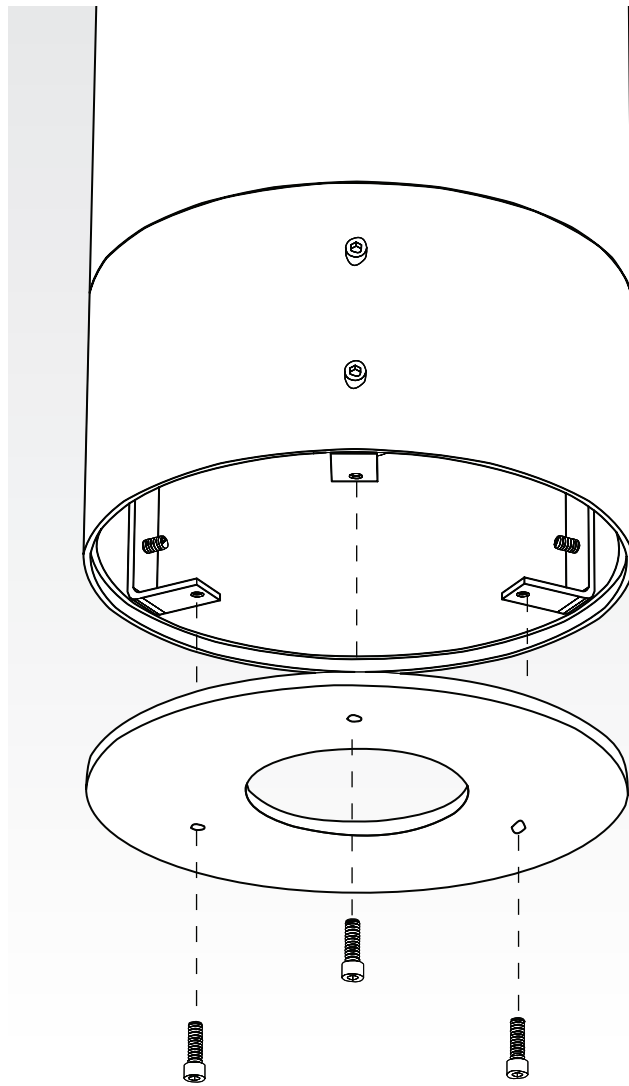
Installation & Service Instructions

WARNING: disconnect main power at the source prior to installation!

Only qualified electricians should install Delray Lighting products.

SERVICE

PAR lamps may be changed without removal of the bottom cover. For T8 lamp or ballast service, remove three screws of bottom cover plate as shown below.



BALLAST REMOVAL

Following removal of bottom cover, metal halide and fluorescent ballasts may be accessed by removing two additional screws (as shown, right) and sliding out ballast tray from the center tube.

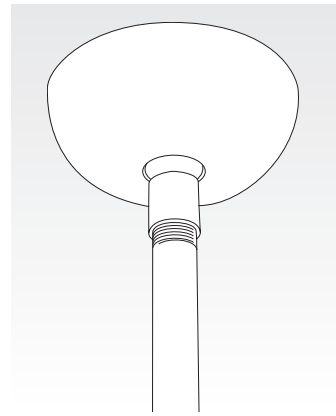
METAL HALIDE BALLASTS

MH ballasts are located in the top portion of the fixture.

DIFFUSER CLEANING

Warning: Do not clean with ammonia based cleaners (e.g. Windex®). Use only water or cleaners specifically formulated for cleaning plastics.

PIPE MOUNT



CABLE MOUNT

