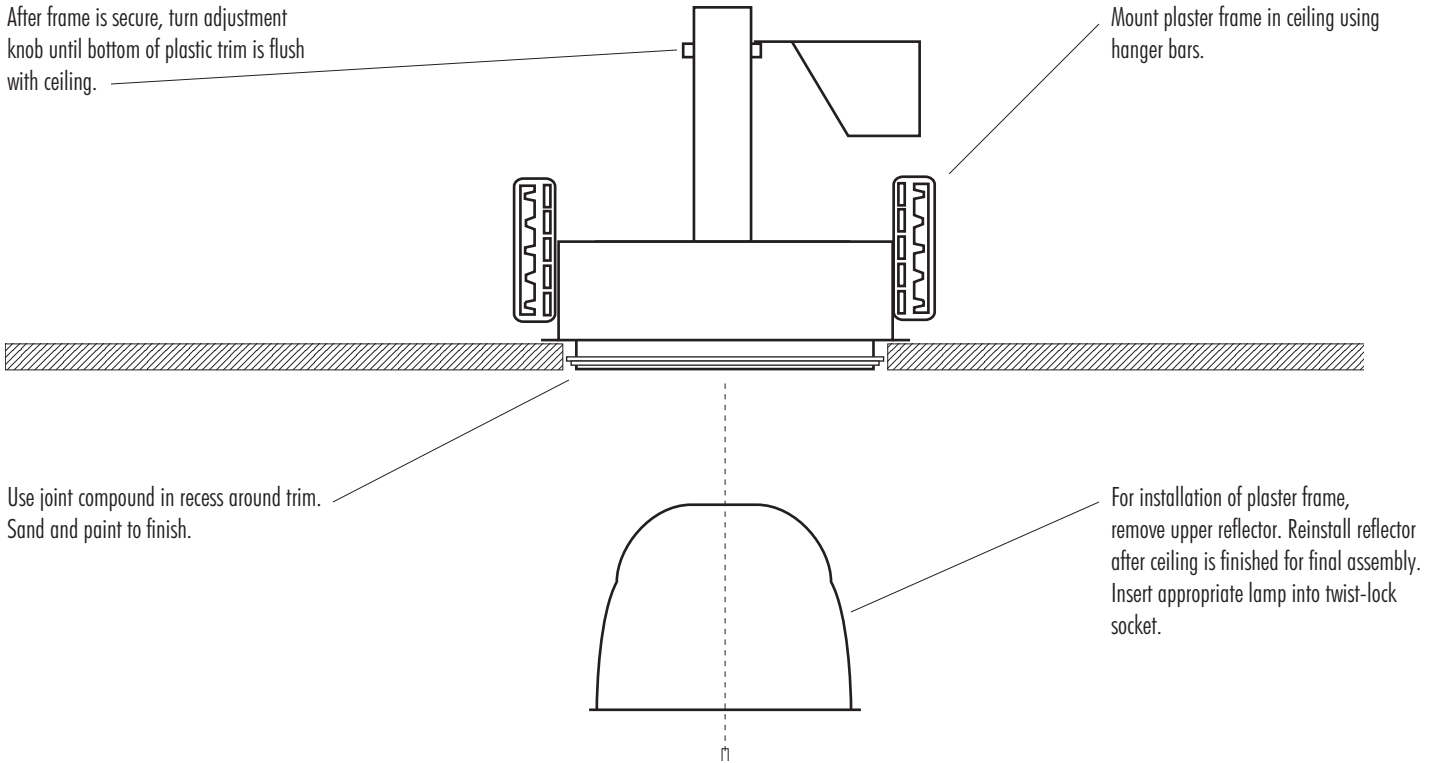


4760/4780

Trimless Downlight Installation Instructions

After frame is secure, turn adjustment knob until bottom of plastic trim is flush with ceiling.

Mount plaster frame in ceiling using hanger bars.



Use joint compound in recess around trim. Sand and paint to finish.

For installation of plaster frame, remove upper reflector. Reinstall reflector after ceiling is finished for final assembly. Insert appropriate lamp into twist-lock socket.