

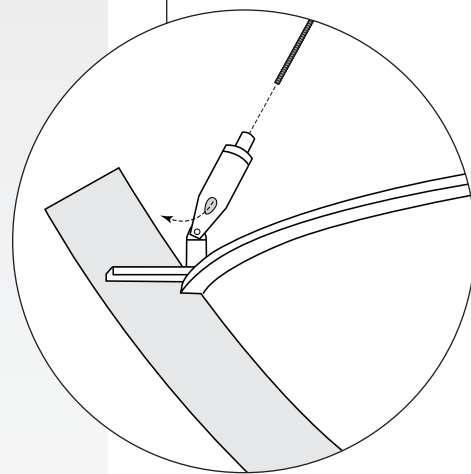
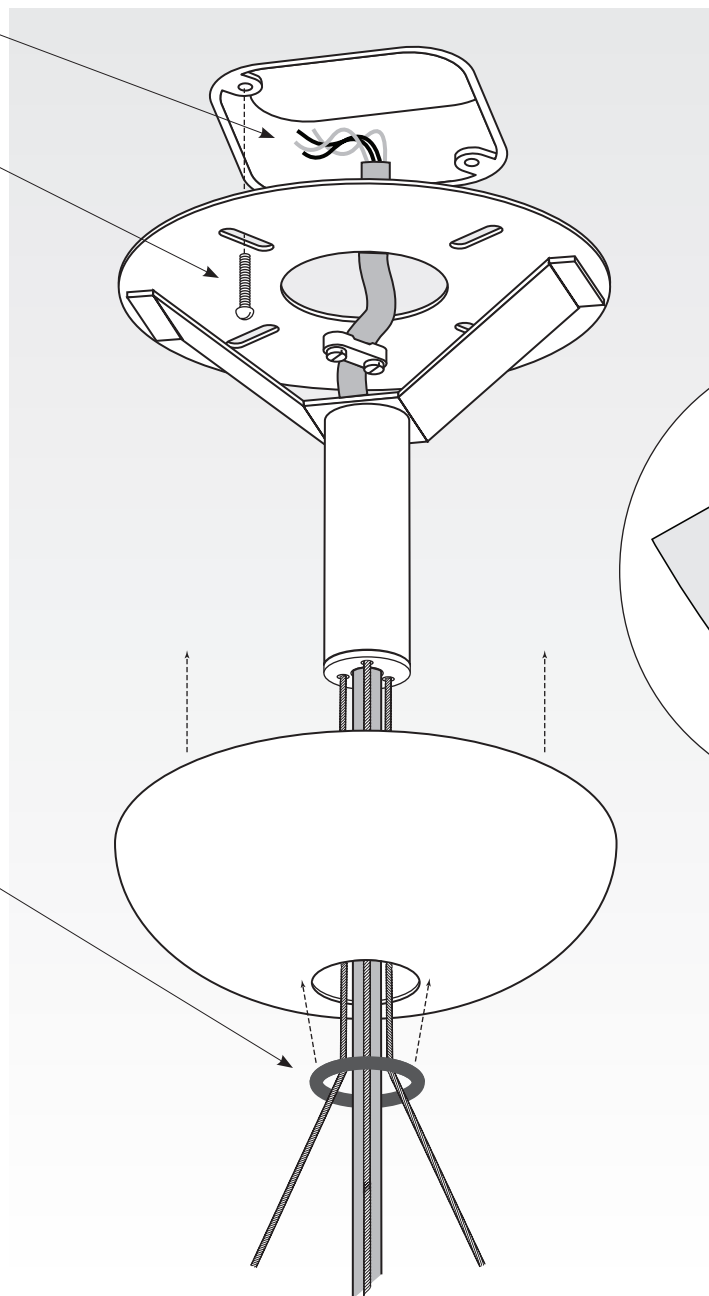
WARNING: disconnect main power at the source prior to installation!

Only qualified electricians should install Delray Lighting products.

❶ Cut power cable to length and wire up.

❷ Attach back plate to J-box with screws.

❸ Slide canopy over post and secure with rubber O-ring.



❹ Insert aircraft cable into cable grippers on fixture. Push in top of gripper to adjust. Leave 1" excess cable out of gripper side after final adjustments.