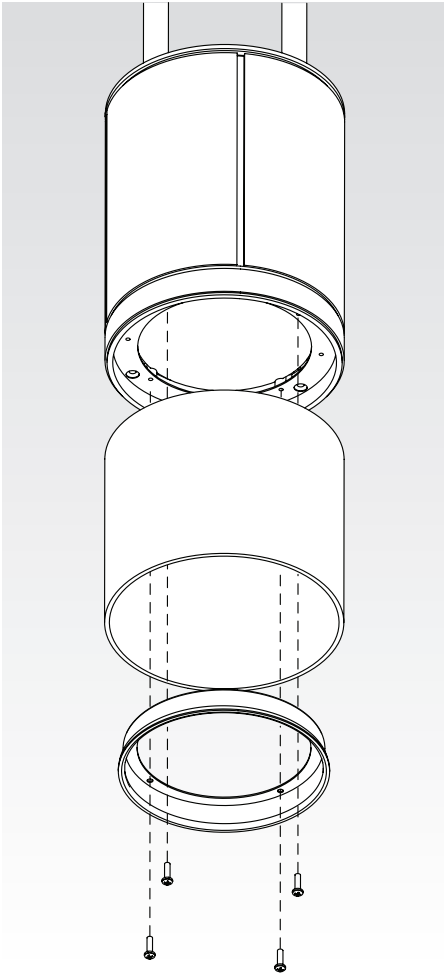


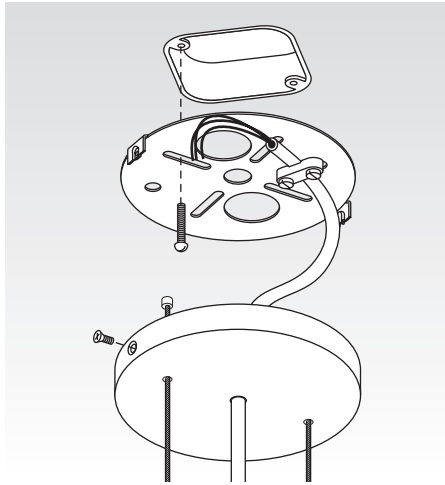
1

Attach glass shade to fixture with metal retaining collar, ensuring that the red silicone O-ring is on retainer flange. To avoid glass breakage, use only light pressure when tightening screws. Center glass before tightening screws.



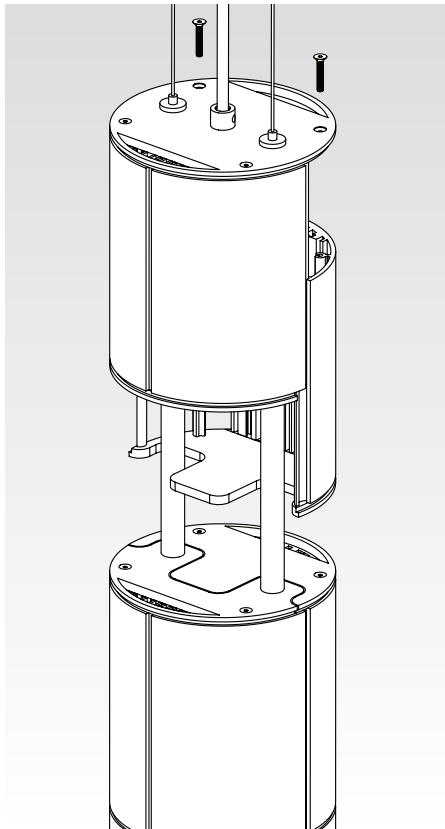
2

Mount back plate to octagonal box or mud ring. Use strain relief attached to back plate to secure power cord. Insert AC cables through canopy cover and attach canopy to back plate with $\frac{9}{32}$ flat head side screws.



3

Insert AC cables into push button cable grippers. Remove two top screws on side not connected to the extension tubes, slide open. Adjust fixture to length and snip off excess cable from inside. Ballast is also serviceable with extension tubes slid open. Slide case closed and reinstall screws.



4

Install Lamps

CFL

Install two matching 4-pin CFL lamps of 26, 32, or 42W. Insert lamps into sockets and twist clockwise 5° to lock into place. (Socket will click once when secure.)

Metal Halide

Use only ED17 lamps with Ceramic Arc Tubes rated for open fixtures. Check lamp wattage label to confirm correct lamp wattage.