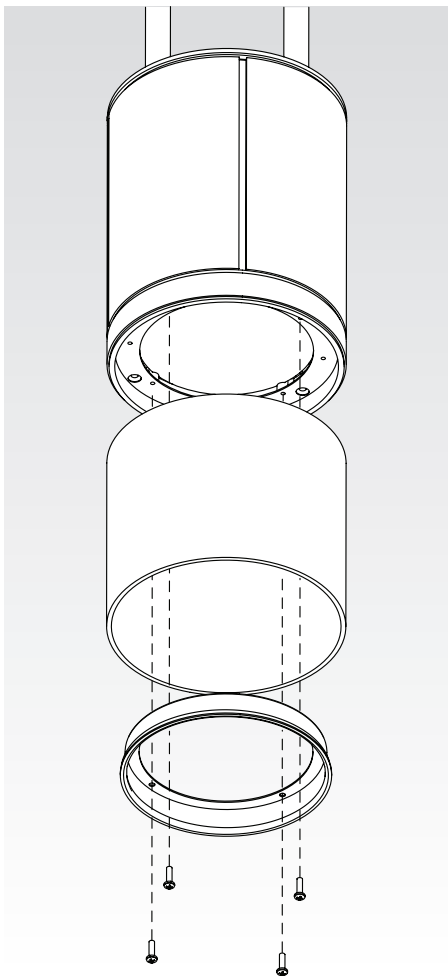
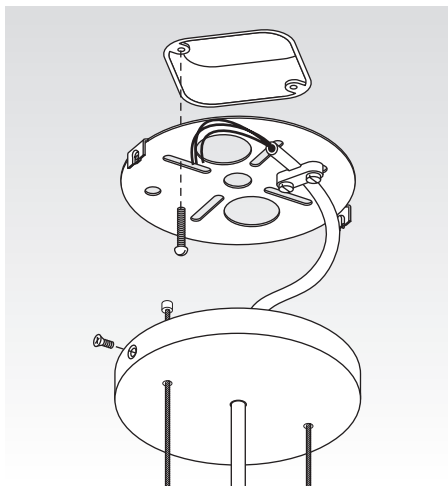


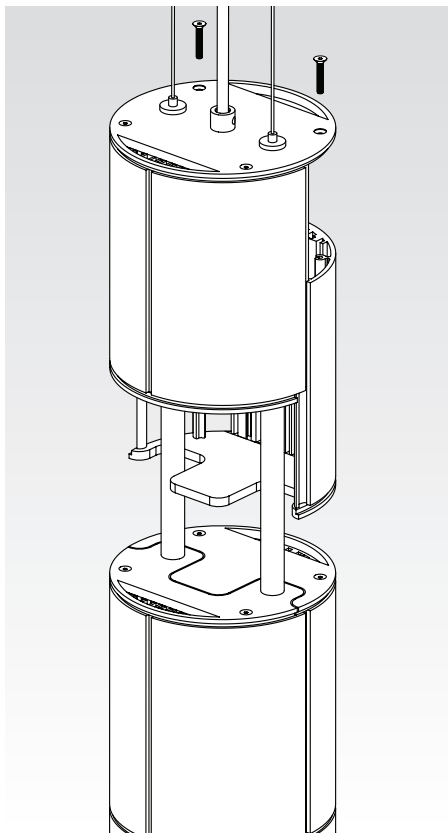
- 1** Attach glass shade to fixture with metal retaining collar, ensuring that the red silicone O-ring is on retainer flange. To avoid glass breakage, use only light pressure when tightening screws. Center glass before tightening screws.



- 2** Mount back plate to octagonal box or mud ring. Use strain relief attached to back plate to secure power cord. Insert AC cables through canopy cover and attach canopy to back plate with $\frac{9}{32}$ flat head side screws.



- 3** Insert AC cables into push button cable grippers. Remove two top screws on side not connected to the extension tubes, slide open. Adjust fixture to length and snip off excess cable from inside. Ballast is also serviceable with extension tubes slid open. Slide case closed and reinstall screws.



- 4** Slide open lower lamp chamber and insert proper T6 ceramic metal halide lamp.

To adjust beam spread, loosen two screws that affix socket bracket to extrusion and slide up or down for narrow or wide distribution. Retighten screws to lock into place. Slide lamp case back in place

Note: extension tube is omitted from drawing for clarity.

